

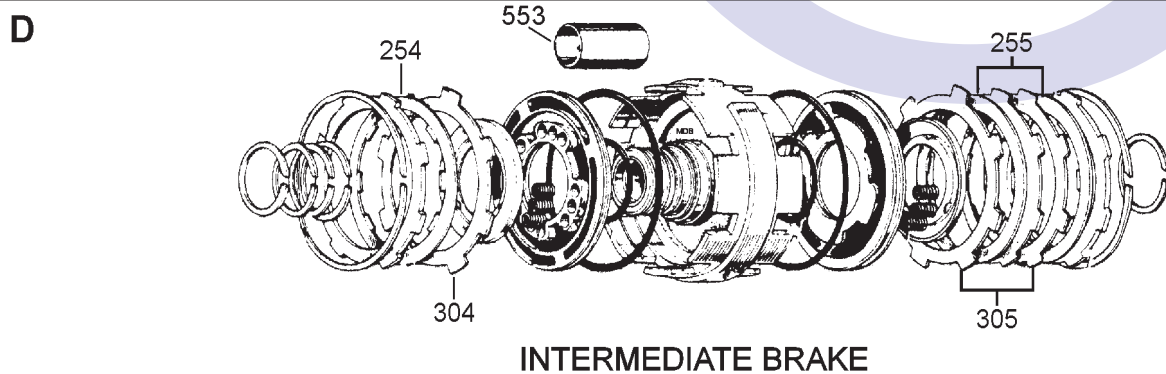
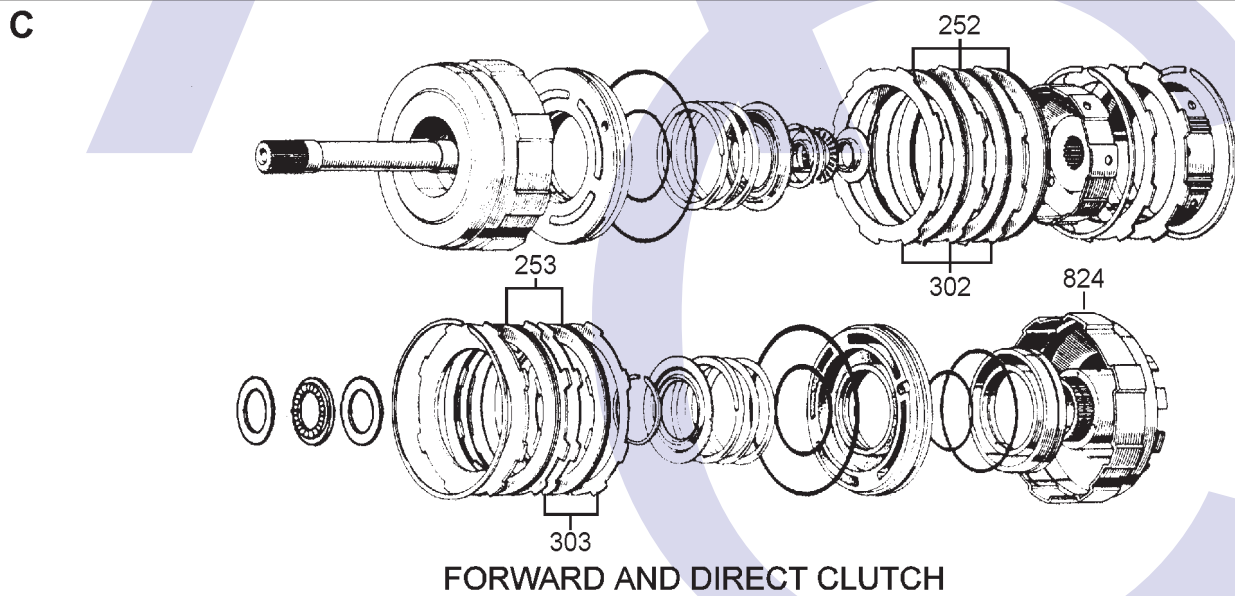
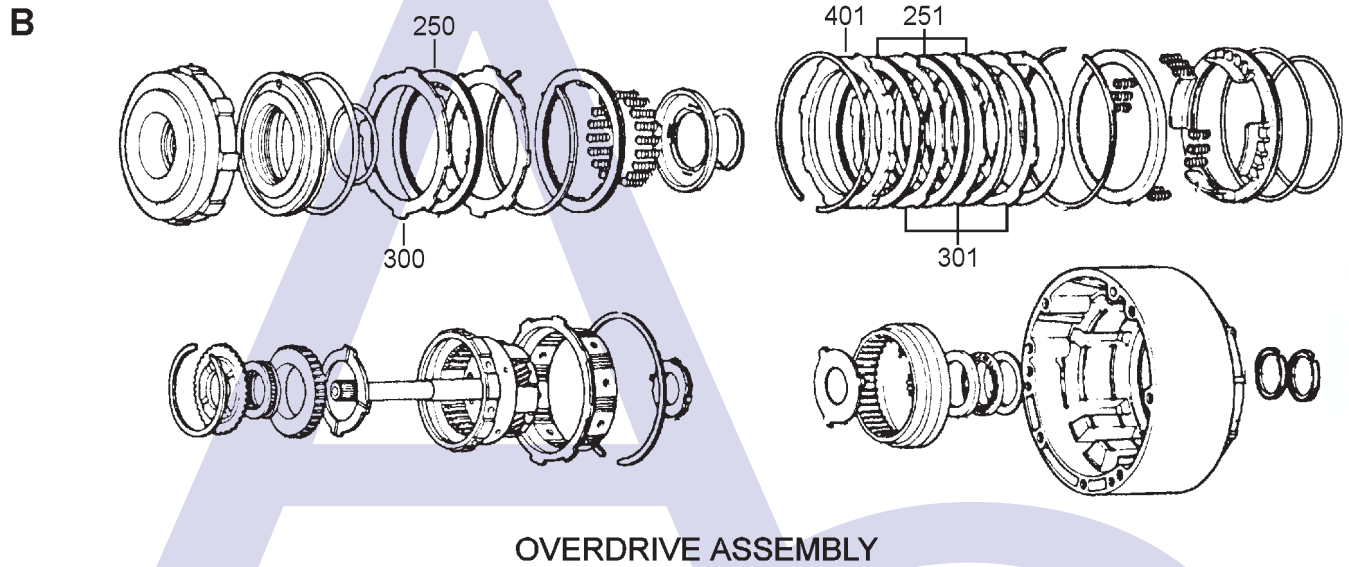
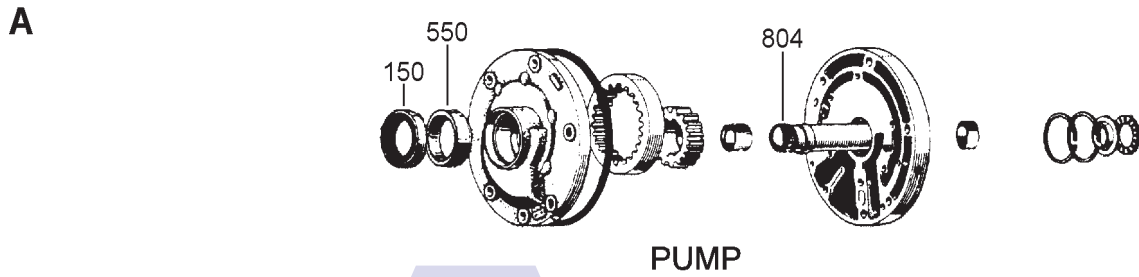
AISIN WARNER 03-70, 71,71L,71LE,72,72L,73LE & TOYOTA A40 SERIES 4 SPEED RWD (Electronic & Hydraulic Control)



AUTOMATIC CHOICE



THE AUTOMATIC TRANSMISSION PARTS WAREHOUSE



AISIN WARNER 03-70, 71,71L,71LE,72,72L,73LE & TOYOTA A40 SERIES 4 SPEED RWD (Electronic & Hydraulic Control)

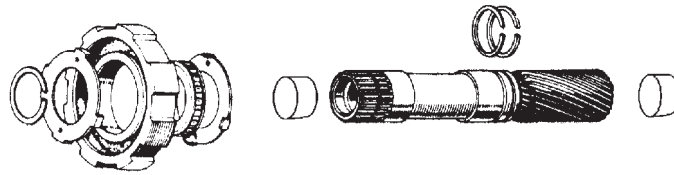


AUTOMATIC CHOICE



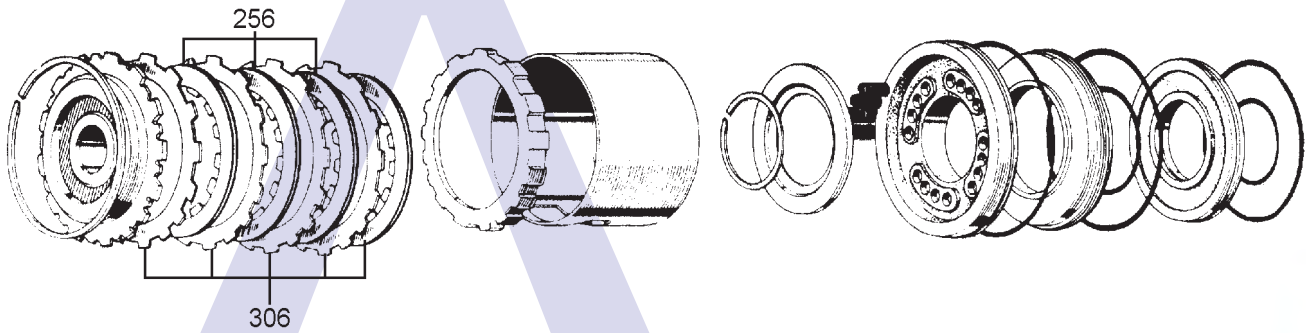
THE AUTOMATIC TRANSMISSION PARTS WAREHOUSE

E



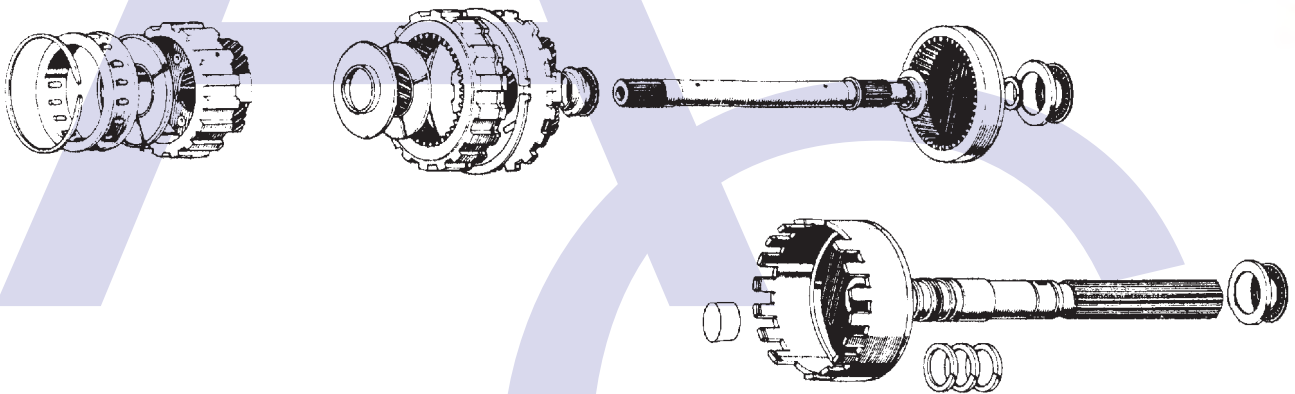
INTERMEDIATE SPRAG AND SUNGEAR

F



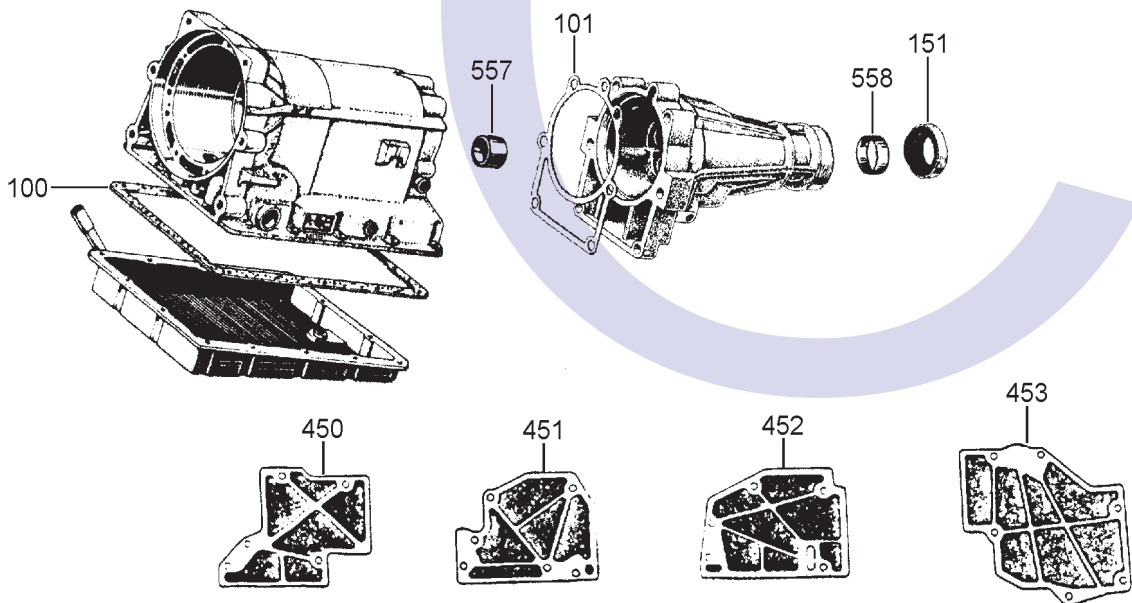
LOW REVERSE BRAKE

G



PLANET SETS AND OUTPUT SHAFT

H



CASE, PAN AND FILTERS

AISIN WARNER 03-70, 71, 71L, 71LE, 72, 72L, 73LE & TOYOTA A40 SERIES 4 SPEED RWD (Electronic & Hydraulic Control)



AUTOMATIC CHOICE

| ILL NO. | DESCRIPTION | YEARS | QTY | PART NO |
|---|---|-------|-----|-------------------|
| A40 SERIES IDENTIFICATION | | | | |
| HOW TO FIND TRANSMISSION TYPE FROM TRANSMISSION TAG OR CASE I.D. | | | | |
| CASE I.D. | TYPE | | | |
| 03-51 | A40D | | | |
| 03-55 | A40 | | | |
| 03-56 | A41 | | | |
| 03-70 | AW70 | | | |
| 03-70L | A42DL | | | |
| 03-71 Toyota | A43D/AW71 | | | |
| 03-72/Mitsubishi | A44D/KM148 | | | |
| 03-71E | A43DE | | | |
| 03-71L | A43DL | | | |
| 03-71LE | A43DE | | | |
| 03-71LE | A46DE | | | |
| 03-72 | A44D | | | |
| 03-72L | A44DL/A45DL | | | |
| 03-72LE Excluding Suzuki | A44DE | | | |
| 03-72LE Suzuki Vitara | A43DE | | | |
| 03-75 | A43 | | | |
| KITS | | | | |
| Kit | Overhaul (Precision) A40, A41 (16 Rings) | 72-80 | 1 | A40.OHK51 |
| Kit | Overhaul (Precision) A40, A41 (25 Rings Combo) | 72-93 | 1 | A40.OHK52 |
| Kit | Overhaul (Precision) A40D, A42D (25 Rings Combo) | 77-93 | 1 | A40.OHK53 |
| Kit | Overhaul, (Precision) A42DL, A44DL, A45DL | 84-94 | 1 | A42.OHK51 |
| Kit | Overhaul (Transtec) Volvo 03-70/71 & All Non L/Up. | 79-ON | 1 | A43.OHK04 |
| Kit | Overhaul (Precision) A43D, A43DE, A43DL | 81-94 | 1 | A45.OHK51 |
| Kit | Overhaul (Precision) AW70/71/72 (03-70, 03-71 Some) | 81-94 | 1 | AW70.OHK51 |
| Kit | Overhaul (Bryco) Non Lock Up A40D, 42D, 43D, AW70, AW71 | 79-ON | 1 | A43.OHK03 |
| Kit | Overhaul A40D, 42D (Precision) (25 Rings Combo) | 77-93 | 1 | A43.OHK53 |
| Kit | Overhaul (Transtec) Lock Up A43, 44, 45, DL, DE, 45F | 82-ON | 1 | A43.OHK02 |
| Kit | Overhaul, (Precision) Transfer Case Only (A43, A44, A45 & Vans) | 88-90 | 1 | A43.OHK52 |
| Kit | Gasket & Rubber 4 Speed Non Lock Up | 79-ON | 1 | A43.GSK01 |
| Kit | Gasket & Rubber 4 Speed "D" Models | 79-ON | 1 | A43.GSK02 |
| Kit | Valve Body Gasket A40D | 77-85 | 1 | A43.GK04 |
| Kit | Valve Body Gasket AW 03-70/71 Non Lock-up | 79-ON | 1 | A43.GK01 |
| Kit | Valve Body gasket 71L, 72L & DL Lock-up | 82-ON | 1 | A43.GK02 |
| Kit | valve Body Gasket 72LE & DE Electronic Control | 82-ON | 1 | A43.GK03 |

| ILL NO. | DESCRIPTION | YEARS | QTY | PART NO |
|--------------------------|---|-------|-----|-------------------|
| GASKETS | | | | |
| 100H | Pan Gasket (Cork) | All | 1 | BW55.GAS01 |
| 100H | Pan Gasket (Fibre) | All | 1 | BW55.GAS10 |
| 101H | Extension Housing | 77-ON | 1 | BW55.GAS03 |
| NI | Transmission to Transfer Case (Mitsubishi Shogun Etc) | 81-ON | 1 | A43.GAS12 |
| NI | FILTER GASKETS | | | |
| | Filter A40 | 72-ON | 1 | A43.GAS09 |
| | Filter A42DL, 43DL, 44DL | 81-ON | 1 | A43.GAS10 |
| | Filter A42D, 43D, AW70, AW71 | 80-ON | 1 | A43.GAS08 |
| | Filter DE Models | 82-ON | 1 | A43.GAS11 |
| NI | VALVE BODY GASKETS | | | |
| | A43DL Lock-up Upper | 81-ON | 1 | A43.GAS04 |
| | A43DL Lock-up Lower | 81-ON | 1 | A43.GAS05 |
| | Volvo Non Lock-up Upper | 79-ON | 1 | A43.GAS07 |
| | Volvo Non Lock-up Lower | 79-ON | 1 | A43.GAS06 |
| RUBBER COMPONENTS | | | | |
| 120A | Front Pump to Case D Ring | To-79 | 1 | BW55.GAS02 |
| 120A | Front Pump to Case O Ring | 79-ON | 1 | A43.OR01 |
| NI | Overdrive Housing to Case O Ring | 77-ON | 1 | A43.OR02 |
| METAL CLAD SEALS | | | | |
| 150A | Front Pump Seal | All | 1 | BW55.MCS01 |
| 151H | Extension Housing Toyota (58mm x38mm x 11mm) | All | 1 | A43.MCS01 |
| 151H | Extension Housing Vauxhall Also Volvo with Ball Race in Ext Housing (55mm x 42mm) | 82-ON | 1 | A43.MCS02 |
| 151H | Extension Housing Volvo | 77-ON | 1 | BW35.MCS02 |
| 151H | Extension Housing Shogun/Pajero (68mm x 45mm x 10mm) | 88-ON | 1 | A43.MCS03 |
| 151H | Extension Housing (57.1mm x 39.5mm x 13.2mm) | 73-ON | 1 | A43.MCS04 |
| SEALING RINGS | | | | |
| Kit | Sealing Ring Kit 4 Speed | 77-ON | 1 | A43.SRK01 |
| FRICITION PLATES | | | | |
| Kit | Friction Plate Kit (Alto) A40, 41, 43 (3Speed) | 72-93 | 1 | A40.FRK51 |
| Kit | Friction Plate Kit (Alto) A40D, A42D | 77-91 | 1 | A40.FRK52 |
| Kit | Friction Plate Kit (Aftermarket) (03-71) | 81-ON | 1 | AW43.FRK01 |
| Kit | Friction Plate Kit (Alto) (03-70, 03-71) | 81-88 | 1 | AW70.FRK51 |
| Kit | Friction Plate Kit (Alto) (03-70L, 03-72L) | 84-ON | 1 | A42.FRK51 |
| Kit | Friction Plate Kit (Alto) (03-70L, 03-72L & 03-72) | 84-ON | 1 | A42.FRK52 |
| Kit | Friction Plate Kit (Alto) (A43D, DE & DL) | 79-ON | 1 | A43.FRK51 |
| Kit | Friction Plate Kit (Alto) (A46DE & A46DF) | 90-ON | 1 | A46.FRK51 |
| 250B | Overdrive Clutch 'C0' (125mm OD x 2.30mm x 24T) | 78-ON | 1-2 | BW55.FRP01 |



THE AUTOMATIC TRANSMISSION PARTS WAREHOUSE

AISIN WARNER 03-70, 71, 71L, 71LE, 72, 72L, 73LE & TOYOTA A40 SERIES 4 SPEED RWD (Electronic & Hydraulic Control)



AUTOMATIC CHOICE



THE AUTOMATIC TRANSMISSION PARTS WAREHOUSE

| ILL NO. | DESCRIPTION | YEARS | QTY | PART NO |
|---------------------------------|---|----------|-----|-------------------|
| FRICITION PLATES Cont... | | | | |
| 251B | Overdrive Brake 'B0' (125mm OD x 2.30mm x 24T) .. | 78-81 | 2-3 | BW55.FRP01 |
| 251B | Overdrive Brake 'B0' (140mm OD x 1.70mm x 33T) .. | 82-ON | 3 | A130.FRP02 |
| 251B | Overdrive Brake (140mm OD x 2.30mm x 44T) .. | 78-81-ON | 3 | A140.FRP02 |
| 252C | Forward Clutch 'C1' (125mm OD x 2.30mm x 24T) .. | 78-ON | 3-4 | BW55.FRP01 |
| 252C | Forward 'C1' (5 Plate Clutch) (125mm OD x 2.00mm x 24T) .. | 85-ON | 5 | A43.FRP01 |
| 253C | Direct Clutch 'C2' (125mm OD x 2.30mm x 24T) .. | 78-ON | 2-3 | BW55.FRP01 |
| 254D | Intermediate 'B1' (125mm OD x 2.30mm x 24T) .. | 78-ON | 1-3 | BW55.FRP01 |
| 255D | Intermediate 'B2' (125mm OD x 2.30mm x 24T) .. | 78-ON | 2-3 | BW55.FRP01 |
| 255D | Intermediate 'B2' (125mm OD x 2.00mm x 24T) .. | 85-ON | 2-3 | A43.FRP01 |
| 256F | Low & Reverse 'B3' (125mm OD x 2.30mm x 16T) .. | 78-ON | 4-5 | BW55.FRP02 |
| STEEL PLATES | | | | |
| Kit | Steel Plate Kit (Alto) A40D, A42D | 77-91 | 1 | A40.STK52 |
| Kit | Steel Plate Kit (Alto) (03-71, 03-71L, 03-71LE) | 79-ON | 1 | A40.STK53 |
| Kit | Steel Plate Kit (Alto) (03-70 & 03-71) | 81-88 | 1 | AW70.STK51 |
| Kit | Steel Plate Kit (Alto) (03-70L & 03-72L) | 84-ON | 1 | A42.STK51 |
| Kit | Steel Plate Kit (Alto) (03-70L, 03-72L & 03-72) | 84-ON | 1 | A42.STK52 |
| Kit | Steel Plate Kit (Alto) (A46DE & A46DF) | 90-ON | 1 | A46.STK51 |
| 300B | Overdrive Clutch 'C0' (100mm ID x 1.70mm x 8 Short T) | 78-81 | 2-3 | BW55.STP01 |
| 300B | Overdrive Clutch 'C0' (100mm ID x 2.00mm x 8 Short T) | 78-ON | 3 | A43.STP03 |
| 301B | Overdrive Brake 'B0' (100mm ID x 1.80mm x 8 Long T) | 78-80 | 2-3 | BW55.STP03 |
| 301B | Overdrive Brake 'B0' (115mm ID x 2.00mm x 7T) | 81-ON | 2-3 | A43.STP01 |
| 301B | Overdrive Brake 'B0' (115mm ID x 2.30mm x 7T) | 84-ON | 2-3 | A43.STP02 |
| 302C | Forward 'C1' (100mm ID x 1.70mm x 8 Short T) | 78-ON | 3-4 | BW55.STP01 |
| 302C | Forward 'C1' (100mm ID x 1.80mm x 8 Short T) | 78-ON | 3-4 | A43.STP05 |
| 302C | Forward 'C1' (100mm ID x 2.00mm x 8 Short T) | 80-ON | 3-4 | A43.STP03 |
| 303C | Direct 'C2' (100mm ID x 1.70mm x 8 Short T) | 78-ON | 2-3 | BW55.STP01 |
| 303C | Direct 'C2' (100mm ID x 1.80mm x 8 Short T) | 78-ON | 2-3 | A43.STP05 |
| 303C | Direct 'C2' (100mm ID x 2.00mm x 8 Short T) | 81-ON | 2-3 | A43.STP03 |

| ILL NO. | DESCRIPTION | YEARS | QTY | PART NO |
|--------------------------------------|---|----------|-----|-------------------|
| STEEL PLATES Cont... | | | | |
| 304D | Intermediate 'B1' (100mm ID x 1.80mm x 8 Long T) | 78-ON | 2-3 | BW55.STP03 |
| 305D | Intermediate 'B2' (100mm ID x 1.80mm x 8 Long T) | 78-ON | 3-4 | BW55.STP03 |
| 305D | Intermediate 'B2' (100mm ID x 2.30mm x 8 Long T) | 85-ON | 3 | A43.STP04 |
| 306F | Low & Reverse 'B3' (100mm ID x 1.80mm x 15T) | 78-ON | 4-5 | BW55.STP02 |
| PRESSURE PLATES | | | | |
| 401B | Pressure Plate OD Brake | 78-ON | 1 | A43.PP01 |
| SPRINGS & CIRCLIPS | | | | |
| FILTERS | | | | |
| 450H | Filter A40D | 78-ON | 1 | A43.FIL04 |
| 452H | Filter All D Models Except A40D AW70, 71 Non Lock-up | 81-ON | 1 | A43.FIL01 |
| 451H | Filter All DL, DF 71L & 72L Models | 82-ON | 1 | A43.FIL02 |
| 453H | Filter All DE & 72LE Models | 83-ON | 1 | A43.FIL03 |
| NI | A47DE Filter (Hi Ace/Lexus) | 95-ON | 1 | A43.FIL05 |
| NI | A43 Filter Suzuki Grand Vitara (38mm High) | 82-ON | 1 | A43.FIL06 |
| BUSHINGS | | | | |
| NI | Bush Kit (Without Ext Bush) | 77-ON | 1 | A43.BK01 |
| 550A | Front Pump All | 77-ON | 1 | BW55.BUS01 |
| 553D | Bushing, Centre Support | 77-ON | 1 | A43.BUS07 |
| 557H | Case Repair, Governor (Haydon) | 77-ON | 1 | A43.BUS04 |
| 557H | Case Repair, Governor (ACL Tool) | 77-ON | 1 | A43.BUS05 |
| 558H | Extension Housing (Toyota) (42mm x 37mm x 30mm) | 77-ON | 1 | A43.BUS01 |
| 558H | Extension Housing Volvo | 77-ON | 1 | BW35.BUS11 |
| 558H | Extension Housing (43.68mm O.D.) | 86-ON | 1 | A43.BUS03 |
| 558H | Extension Housing (38mm I.D.) | 86-ON | 1 | A43.BUS06 |
| THRUST WASHERS & BEARINGS | | | | |
| ELECTRICAL COMPONENTS | | | | |
| Kit | Pair of Shift Solenoids LE Models | 82-ON | 1 | A43.SOL02 |
| NI | Solenoid Overdrive Shift (03-71 Non LE Models) | 78-ON | 1 | A43.SOL01 |
| NI | TCC Solenoid LE Models | 82-ON | 1 | A43.SOL03 |
| NI | Throttle Position Sensor (TPS) (Previa Petrol) | Mid 90's | 1 | A46.ELE01 |

AISIN WARNER 03-70, 71,71L,71LE,72,72L,73LE & TOYOTA A40 SERIES 4 SPEED RWD (Electronic & Hydraulic Control)



AUTOMATIC CHOICE



THE AUTOMATIC TRANSMISSION PARTS WAREHOUSE

| ILL NO. | DESCRIPTION | YEARS | QTY | PART NO |
|----------------------------|--|-------|-----|--------------------|
| VALVE BODY PARTS | | | | |
| NI | Boost Valve Kit (A43DE, A46DE (03-71LE, 72LE)) (10.97mm EPC Spool Dia. 12.98mm Reverse Spool Dia Adjustable Steps With ID Groove) (Sonnax® Click here for Info) ... All | | 1 | A43.VA01 |
| NI | Boost Valve Kit (A43DE, A46DE (03-71LE, 72LE)) (10.26mm EPC Spool Dia. 12.57mm Reverse Spool Dia With End Nub) (Sonnax® Click here for Info) ... All | | 1 | A43.VA02 |
| HARD PARTS | | | | |
| 804A | Replacement Stator Tube (Non Lock Up)..... All | | 1 | A43.SUP03 |
| 824C | A40 Series Direct Clutch Drum (Rebuilt) All | | 1 | A43.DRU01 |
| NI | Output Flange, Volvo (97mm OD) | | 1 | A43.FL01 |
| NI | Output Flange, Volvo (87mm OD) | | 1 | A43.FL02 |
| SPECIAL ITEMS | | | | |
| Kit | Cable Repair Kit..... 72-ON | | 1 | BW65.CABKIT |
| NI | Pressure Cable (Volvo) Models 357, 412,483 & 502..... All | | 1 | A43.CAB02 |
| NI | Pressure Cable (Volvo) Models(233, 248 & 310..... All | | 1 | A43.CAB10 |
| NI | Pressure Cable (Volvo) Model 371 All | | 1 | A43.CAB11 |
| NI | Pressure Cable (Volvo) Model 449 All | | 1 | A43.CAB12 |
| NI | Pressure Cable (Volvo) Mods 319, 322, 356, 359, 411, 415, 417, 449, 481, 482, 484.... All | | 1 | A43.CAB18 |
| NI | Pressure Cable (Volvo) Model 284 All | | 1 | A43.CAB21 |
| NI | Pressure Cable (Volvo) Mod 418, 642, 643, 659, 660, 684, 681 All | | 1 | A43.CAB22 |
| NI | Pressure Cable (Volvo) Model 532, 533, 534 All | | 1 | A43.CAB27 |
| NI | Pressure Cable (Volvo) Model 534 (Long Version)..... All | | 1 | A43.CAB37 |
| NI | Pressure Cable (Isuzu) Piazza Turbo (864/1090)..... All | | 1 | A43.CAB32 |
| NI | Pressure Cable (Isuzu) Piazza Non Turbo (965/1095) ... All | | 1 | A43.CAB33 |
| NI | Pressure Cable (Mitsubishi) Shogun V6 Petrol..... All | | 1 | A43.CAB34 |
| NI | Pressure Cable (Mitsubishi) Pajero Diesel..... | | 1 | A43.CAB44 |
| NI | Pressure Cable (Mitsubishi) Pajero (47.50mm x 54.50mm) .. | | 1 | A43.CAB47 |
| NI | Pressure Cable (Toyota) Space Cruiser/Townace..... All | | 1 | A43.CAB23 |
| NI | Pressure Cable (Toyota) Previa..... All | | 1 | A43.CAB39 |
| TOOLS & MANUALS | | | | |
| NI | Rebuild Manual (ATSG)..... | | 1 | A43.MAN01 |

| ILL NO. | DESCRIPTION | YEARS | QTY | PART NO |
|---------|-------------|-------|-----|---------|
|---------|-------------|-------|-----|---------|