

AP MARK I & II

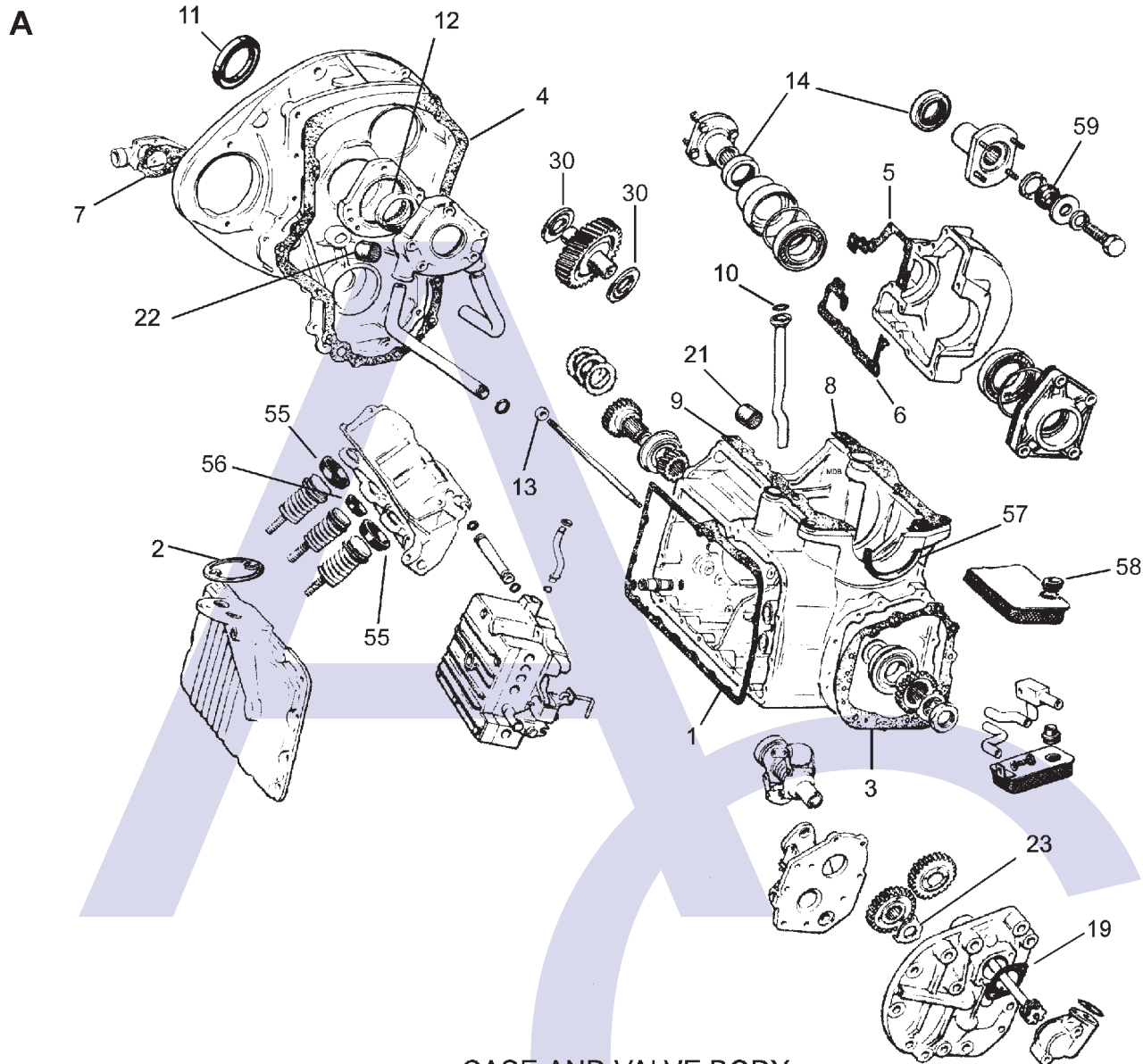
4 SPEED FWD (Hydraulic Control)



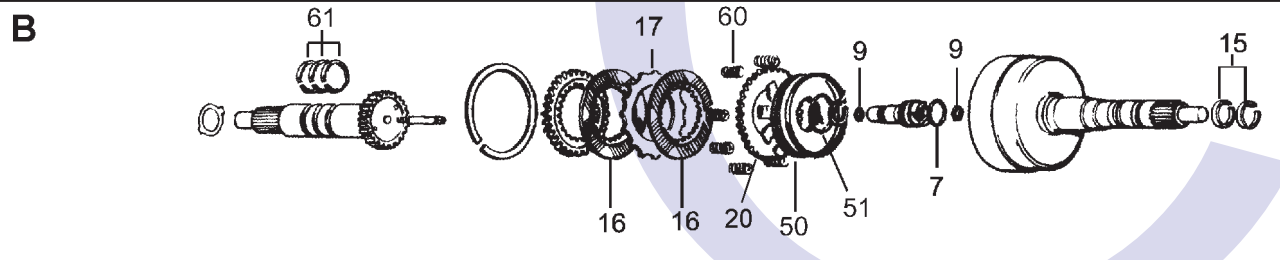
AUTOMATIC CHOICE



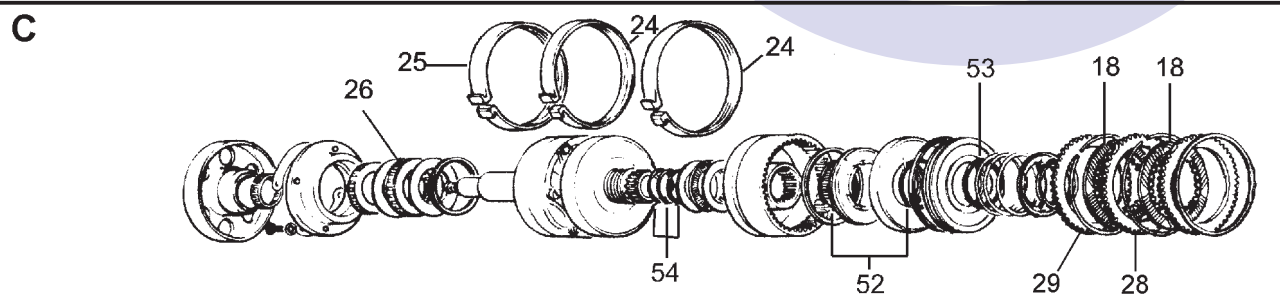
THE AUTOMATIC TRANSMISSION PARTS WAREHOUSE



CASE AND VALVE BODY



FORWARD CLUTCH



PLANET SET AND DIRECT CLUTCH

AP MKI & II

4 SPEED FWD (Hydraulic Control)



AUTOMATIC CHOICE



THE AUTOMATIC TRANSMISSION PARTS WAREHOUSE

ILL NO.	DESCRIPTION	YEARS	QTY	PART NO
KITS				
Kit	Overhaul Kit	TO-79	1	AP2.OHK01
Kit	Overhaul Kit Metro & Late Mini.	81-ON	1	AP2.OHK02
Kit	Gasket & Seal Kit.....	TO-79	1	AP2.GSK01
Kit	Gasket & Seal Kit.....	79-ON	1	AP2.GSK02
Kit	Gasket Kit	TO-79	1	AP2.GK01
Kit	Gasket Kit	79-ON	1	AP2.GK02
Kit	Shaft Sealing Ring Kit Early.....	TO-81	1	AP2.SRK01
Kit	Shaft Sealing Ring Kit Late.....	81-ON	1	AP2.SRK02
GASKETS				
1A	Servo & Valve Cover Front	ALL	1	AP2.GAS09
2A	Filter to Servo Cover.....	72-ON	1	AP2.GAS10
3A	Auxiliary Pump (Governor).....	65-79	1	AP2.GAS03
3A	Auxiliary Pump (Governor).....	79-ON	1	AP2.GAS04
4A	Converter Housing Gasket.....	65-79	1	AP2.GAS01
4A	Converter Housing Gasket.....	79-ON	1	AP2.GAS02
4A	Converter Housing Gasket (Late 0.254mm Thick)	82-ON	1	AP2.GAS21
NI	Pump Gasket	ALL	1	AP2.GAS17
7A	Low Pressure Valve Gasket.....	ALL	1	AP2.GAS14
5A	Diff Housing (Upper)	65-79	1	AP2.GAS05
5A	Diff Housing (Upper)	79-ON	1	AP2.GAS08
6A	Diff Housing (Lower)	65-79	1	AP2.GAS07
5A	Diff Housing (Lower)	79-ON	1	AP2.GAS06
8A	Engine to Trans (Diff Side).....	ALL	1	AP2.GAS11
9A	Engine to Trans (Filter Side)	ALL	1	AP2.GAS12
NI	Diff Flange Gasket	All	1	AP2.GAS13
NI	Governor Control Rod Gasket ..	All	1	AP2.GAS15
19A	Speedo gear Gasket.....	All	1	AP2.GAS18
RUBBER COMPONENTS				
Kit	'O' Ring Kit.....	All	1	AP2.ORK01
50B	Forward Clutch Lip Seal.....	ALL	1	AP2.LIP01
51B	Forward Clutch Inner Seal.....	ALL	1	AP2.OR04
53C	Top & Rev O Ring (Large).....	ALL	1	AP2.OR01
52C	Top & Rev O Ring (Small).....	ALL	2	AP2.OR02
54C	Rev Output Gear O Ring.....	ALL	3	AP2.OR03
NI	Rev Output Gear Top O Ring (Late Units)	82-ON	1	AP2.OR11
10A	Transmission to Engine Oil Feed Pipe O Ring	ALL	1	AP2.OR05
55A	Rev & Second Servo Lip Seal... ALL		2	AP2.LIP02
56A	3rd Gear Servo Lip Seal	ALL	1	AP2.LIP03
57A	Bearing Cap Seal (1/2 Moon) ... ALL		1	AP2.RUB01
58A	Oil Strainer Grommet.....	ALL	1	AP2.RUB02
59A	Diff Squash Seals	65-78	2	AP2.RUB03
SEALS				
11A	Converter Seal.....	ALL	1	AP2.MCS01
12A	Converter Output Gear Seal.....	65-72	1	AP2.MCS07
12A	Converter Output Gear Seal.....	72-ON	1	AP2.MCS02
13A	Selector Rod Late (0.312")	72-ON	1	AP2.MCS05
13A	Selector Rod Early (0.250")	65-72	1	AP2.MCS06
14A	Axle Seals (Early)	65-79	2	AP2.MCS03
14A	Axle Seals (Late).....	79-ON	2	AP2.MCS04
SEALING RINGS				
15B	Fwd Clutch Sealing Ring	TO-80	2	AP2.SSR01
15B	Fwd Clutch Sealing Ring.....	(NLA)		AP2.SSR02
61B	Input Shaft Sealing Ring.....	72-ON	3	AP2.SSR03
NI	Fwd Clutch Pilot (Plastic).....	81-ON	1	AP2.SSR04

ILL NO.	DESCRIPTION	YEARS	QTY	PART NO
FRICTION PLATES				
16B	Forward Friction (Green Lining)	ALL	2-3	AP2.FRP02
18C	Direct Friction (Green Lining)	ALL	3	AP2.FRP02
18C	Direct Friction (Sintered).....	ALL	3	AP2.FRP03
STEEL PLATES				
17B	Forward Std 0.064"	ALL	1	AP2.STP01
17B	Forward Sel 0.075"	ALL	1	AP2.STP02
27B	Top/Rev Steel 0.060"	All	1	AP2.STP03
28B	Top/Rev Steel 0.100"	All	2	AP2.STP04
20B	Fwd Clutch Pressure Plate Top (.362").....	All	1	AP2.PP02
THRUST BEARINGS & WASHERS				
21A	Idler Gear Bearing Open (1.0625" O.D & 15 Needles)....	72-81	1	AP2.BE01
22A	Idler Gear Bearing Closed (1.0625" O.D & 15 Needles)....	72-81	1	AP2.BE02
23A	Auxiliary Pump (Steel)	72-ON	1	AP2.THW01
NI	Bearing Outer Planet Pinion	All	1	AP2.BE03
NI	Centre Case Bearing	All	2	AP2.BE04
30A	Metro Idler Gear Thrust (0.132"-0.133")	81-ON	A/R	AP2.THW02
30A	Metro Idler Gear Thrust (0.134"-0.135")	81-ON	A/R	AP2.THW03
30A	Metro Idler Gear Thrust (0.136"-0.137")	81-ON	A/R	AP2.THW04
30A	Metro Idler Gear Thrust (0.138"-0.139")	81-ON	A/R	AP2.THW05
BANDS				
24C	Second & Third 3/4" Wide.....	ALL	2	AP2.BAN03
25C	Reverse 1" Wide	ALL	1	AP2.BAN04
BUSHES				
NI	Auxiliary Pump Bush.....	65-ON	1	AP2.BUS01
NI	Third Gear Reaction Bush	All	1	AP2.BUS02
SPRINGS & ONE WAY CLUTCHES				
26C	One Way Clutch (Sprag).....	ALL	1	AP2.OWC01
60B	Fwd Clutch Return Spring.....	ALL	8	AP2.SPR01
NI	Top/Rev Clutch Separator Springs		3	AP2.SPR02
HARD PARTS				
NI	End Cover Core Plug	ALL	1	AP2.CAP01
NI	Light House Valve Circlip.....	ALL	1	AP2.CIR01
TORQUE CONVERTERS				
NI	Early with Edge Ring Gear.....		1	AP2.TC01
NI	Late with 107 Tooth Ring Gear .		1	AP2.TC03
NI	Late with 129 Tooth Ring Gear .		1	AP2.TC04