

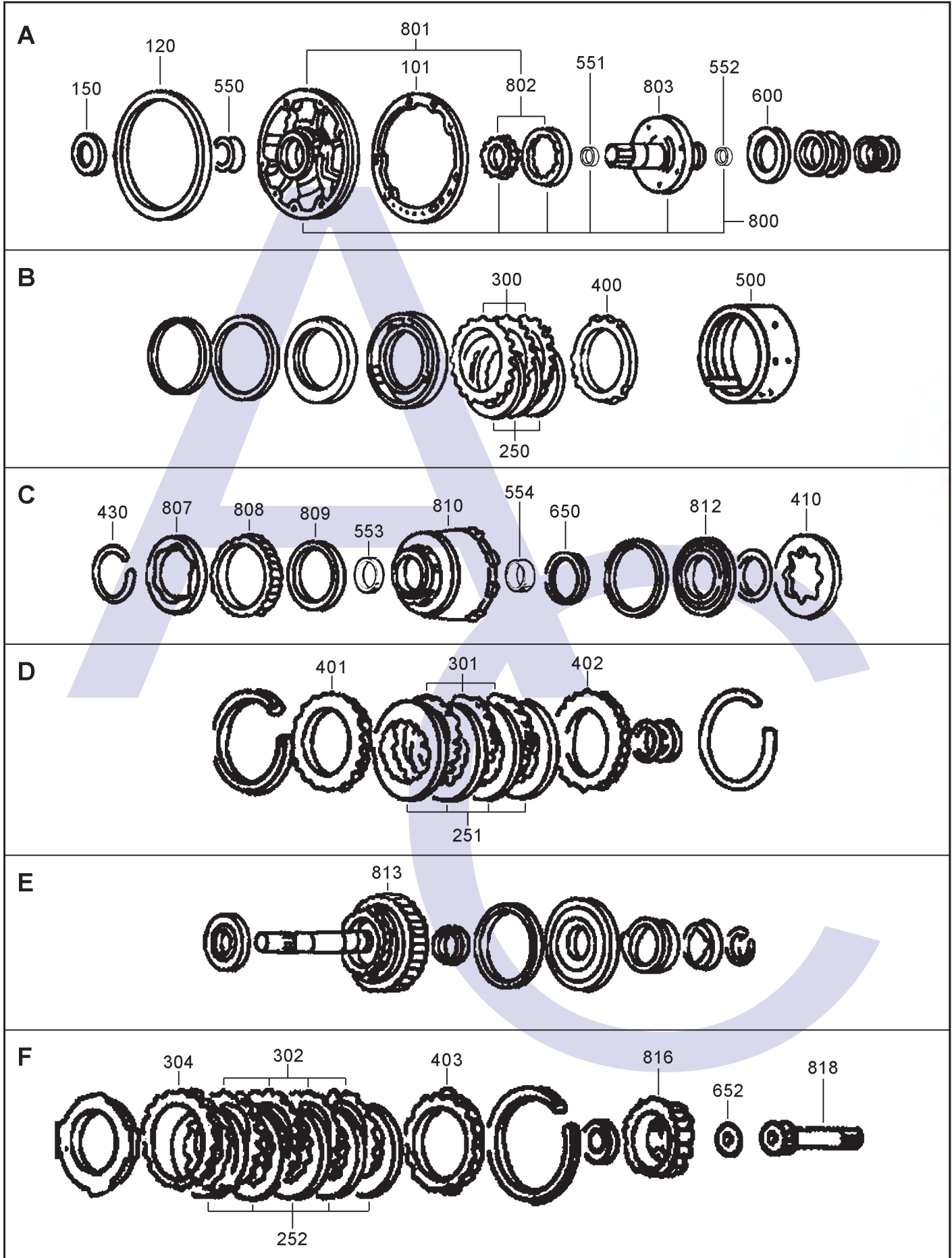
# FORD AODE, 4R70W, 4R70E, 2004- 4R75E 2004- 4 SPEED RWD (Electronic Control)



AUTOMATIC CHOICE



THE AUTOMATIC TRANSMISSION PARTS WAREHOUSE



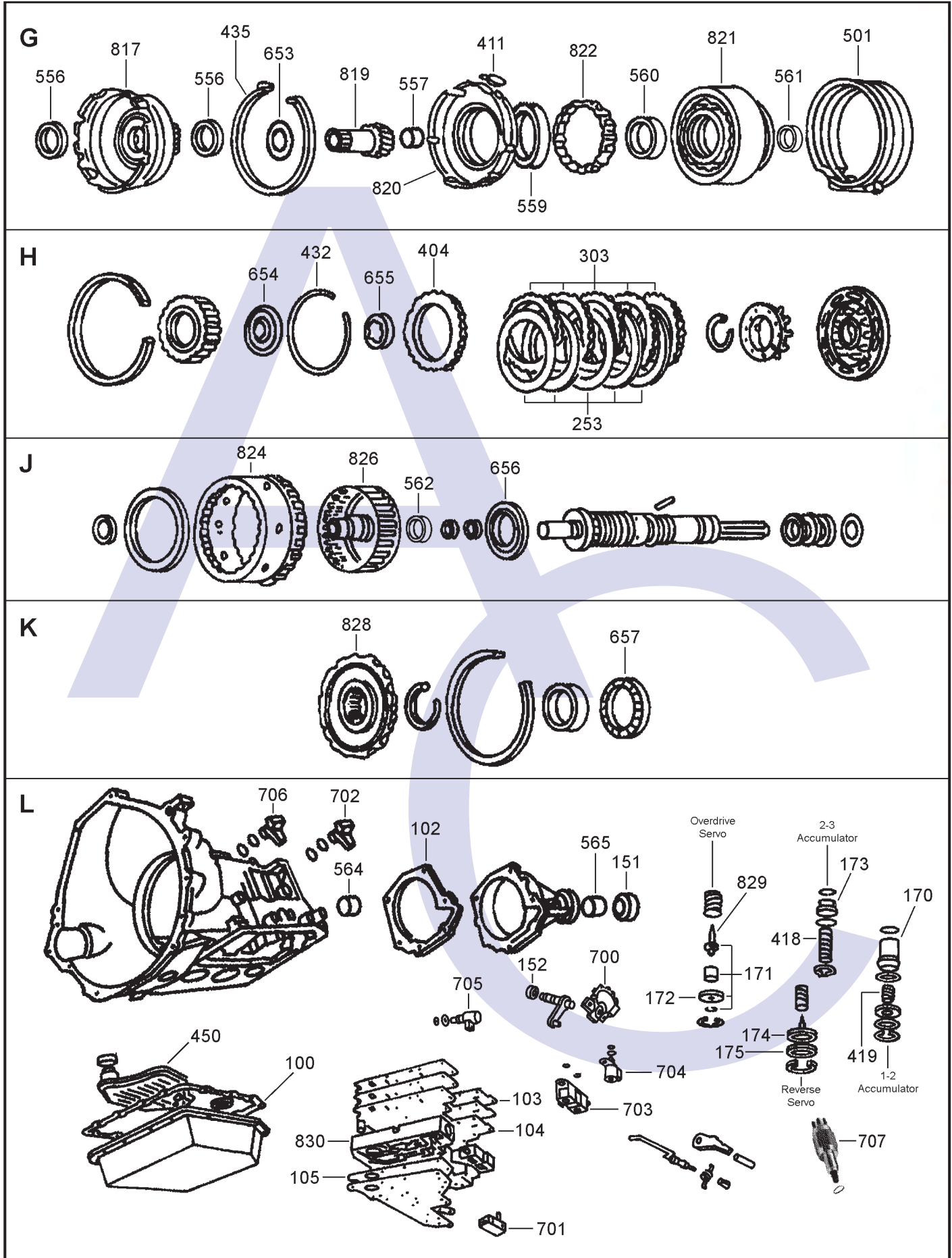
# FORD AODE, 4R70W, 4R70E, 2004- 4R75E 2004- 4 SPEED RWD (Electronic Control)



AUTOMATIC CHOICE



THE AUTOMATIC TRANSMISSION PARTS WAREHOUSE



# FORD AODE, 4R70W, 4R70E, 2004- 4R75E 2004-4 SPEED RWD (Electronic Control)



AUTOMATIC CHOICE



THE AUTOMATIC TRANSMISSION PARTS WAREHOUSE

ILL NO.	DESCRIPTION	YEARS	QTY	PART NO
<b>KITS</b>				
Kit	Super Overhaul Kit.....	92-ON	1	AODE.SOHK01
Kit	Master Overhaul .....	92-95	1	AODE.MOHK01
Kit	Overhaul (Transtec).....	92-95	1	AODE.OHK01
Kit	Overhaul (Precision) .....	92-95	1	AODE.OHK51
Kit	Overhaul (Transtec) <a href="#">Click for Info</a> (Metal Stator Sealing Rings).....	96-03	1	AODE.OHK02
Kit	Overhaul (Precision) <a href="#">Click for Info</a> (Metal Stator Sealing Rings).....	96-03	1	AODE.OHK52
Kit	Overhaul (Transtec) (4R70/75W) <a href="#">Click for Info</a> (Plastic Stator Sealing Rings) ...	04-ON	1	AODE.OHK03
Kit	Direct Clutch Kit (Heavy Duty) ..	92-ON	1	AODE.CK01
<b>GASKETS</b>				
100L	Pan Gasket (Moulded Rubber) .	92-ON	1	AODE.GAS01
101A	Pump Gasket .....	92-ON	1	AODE.GAS02
102L	Extension Gasket.....	92-95	1	AOD.GAS03
103L	Upper Valve Body (Yellow Stripe).....	92-95	1	AODE.GAS05
	(Light Green Stripe) .....	96-ON	1	AODE.GAS15
104L	Lower Valve Body (Light Green Stripe) .....	92-95	1	AODE.GAS04
	(White or Orange Stripe).....	96-00	1	AODE.GAS14
	(Light Blue Stripe) .....	01-ON	1	AODE.GAS17
105L	Valve Body Cover .....	92-95	1	AODE.GAS06
105L	Valve Body Cover .....	96-ON	1	AODE.GAS16
<b>RUBBER COMPONENTS</b>				
120A	Pump Outer Lathe Cut Seal.....	92-ON	1	AOD.OR01
<b>METAL CLAD SEALS</b>				
150A	Pump Seal .....	92-ON	1	AODE.MCS01
151L	Extension Seal (No Boot).....	92-ON	1	TH700.MCS02
151L	Extension Seal (With Boot).....	92-ON	1	C4.MCS02
151L	Extension Seal (4R70W) (Lincoln 63.10mm OD).....	92-ON	1	AODE.MCS03
152L	Manual Control Lever.....	92-ON	1	C3.MCS03
<b>MOULDED PISTONS &amp; ACCUMULATORS</b>				
170L	1-2 Accumulator Piston (Bonded Rubber) .....	94-97	1	AODE.PIS01
170L	1-2 Accumulator Sleeve & Piston Kit (Sonnax@ <a href="#">Click here for info</a> )....	92-ON	1	AODE.ACC01
NI	Installation Tool for AODE.ACC01 (Sonnax@).....	92-ON	1	AODE.TOOL01
171L	OD Servo Piston (68.07mm Diameter 1 Piece)....	92-ON	1	AODE.SER02
171L	OD Servo Piston With Sleeve (4R70W) (63.50mm Diameter 2 Piece)....	93-98	1	AODE.SER03
172L	Overdrive Servo Cover ( 'A' Stamp) .....	92-ON	1	AODE.SER01
173L	2-3 Accumulator Piston (Moulded Rubber) .....	92-ON	1	AOD.ACC01
173L	2-3 Accumulator Piston & Sleeve Kit (Sonnax@ <a href="#">Click here for Info</a> ) ...	92-ON	1	AODE.ACC02
174L	Reverse Servo Piston (1 Groove).....	92-ON	1	AOD.SER01
	(2 Groove).....	92-ON	1	AOD.SER02
	(3 Groove).....	92-ON	1	AOD.SER03
175L	Reverse Servo Cover.....	92-ON	1	AOD.SER04
NI	1-2 Accumulator Cover (Bonded Rubber) .....	92-ON	1	AODE.COV01

ILL NO.	DESCRIPTION	YEARS	QTY	PART NO
<b>MOULDED PISTONS &amp; ACCUMULATORS Cont...</b>				
NI	2-3 Accumulator Cover .....	92-96	1	AODE.COV02
NI	Cover, Overdrive Servo (V-8 351, "A" Stamp).....	92-97	1	AODE.COV03
<b>FRICITION PLATES</b>				
Kit	Friction Kit (AODE) .....	92-95	1	AODE.FRK01
Kit	Friction Kit (AODE) (Alto).....	92-95	1	AODE.FRK51
Kit	Friction Kit (4R70W) (Alto).....	93-95	1	AODE.FRK52
Kit	Friction Kit (4R70W) (Alto).....	96-97	1	AODE.FRK53
Kit	Friction Kit (4R70W).....	98-ON	1	AODE.FRK02
Kit	Friction Kit (4R70W) (Alto).....	98-ON	1	AODE.FRK54
Kit	Direct Clutch Kit (Heavy Duty) ..	92-ON	1	AODE.CK01
250B	Intermediate (Smooth) (179.6mm OD x 1.68mm x 60T) ..	92-ON	3-4	AODE.FRP01
250B	Intermediate (Grooved) (179.6mm OD x 1.68mm x 60T) ..	98-ON	3-4	AODE.FRP03
251D	Reverse (133.3mm OD x 1.63mm x 45T) ..	92-ON	4	AOD.FRP03
252F	Forward (136mm OD x 1.63mm x 45T) ..	92-ON	5	AOD.FRP06
253H	Direct (118.1mm OD x 2.00mm x 42T) ..	92-96	5	AOD.FRP05
253H	Direct (119.1mm OD x 1.73mm x 42T) ..	97-ON	5-6	AODE.FRP02
<b>STEEL PLATES</b>				
Kit	Steel Plate.....	92-96	1	AODE.STK01
Kit	Steel Plate.....	97-ON	1	AODE.STK02
Kit	Steel Plate (4R70W) (Alto).....	93-95	1	AODE.STK52
Kit	Steel Plate (4R70W) (Alto).....	96-97	1	AODE.STK53
Kit	Steel Plate (4R70W) (Alto).....	98-ON	1	AODE.STK54
Kit	Direct Clutch Kit (Heavy Duty) ..	92-ON	1	AODE.CK01
300B	Intermediate (149mm ID x 1.68mm - 1.80mm x 18T).....	92-ON	3	AOD.STP01
300B	Intermediate (149mm ID x 1.96mm - 2.06mm x 18T).....	92-ON	1	AOD.STP02
300B	Intermediate (149mm ID x 2.21mm - 2.31mm x 18T).....	92-ON	1	AOD.STP03
300B	Intermediate (149mm ID x 2.46mm - 2.57mm x 18T).....	92-ON	1	AOD.STP04
301D	Reverse (99.06mm IDx1.75mm x32/34T).....	92-ON	3	AOD.STP07
302F	Forward (99.06mm ID x 1.78mm x 34T) ..	92-ON	5	AOD.STP10
303H	Direct (92.96mm ID x 1.73mm x 34T) ..	92-ON	6	AOD.STP09
303H	Direct (92.96mm ID x 2.00mm x 34T) ..	97-ON	6	AOD.STP11
304F	Forward Waved Cushion (21T) ..	92-ON	1	AOD.STP14
<b>PRESSURE PLATES</b>				
400B	Intermediate (6.45mm).....	92-ON	1	AODE.PP03
401D	Reverse (Bottom).....	92-ON	1	AODE.PP04
402D	Reverse (Top) .....	92-ON	1	AODE.PP06
403F	Forward (34Teeth).....	92-ON	1	AOD.PP02
404H	Direct (5.59mm x 34Teeth).....	92-ON	1	AODE.PP01
404H	Direct (9.65mm x 34Teeth).....	92-ON	1	AODE.PP02



# FORD AODE, 4R70W, 4R70E, 2004- 4R75E 2004-4 SPEED RWD (Electronic Control)



AUTOMATIC CHOICE



THE AUTOMATIC TRANSMISSION PARTS WAREHOUSE

ILL NO.	DESCRIPTION	YEARS	QTY	PART NO
<b>SPRINGS &amp; CIRCLIPS</b>				
Kit	Snap Ring Kit.....	92-ON	1	<b>AOD.CIR08</b>
410C	Reverse Clutch Diaphragm Spring.....	92-ON	1	<b>AOD.DIA01</b>
411G	Anti Clunk Spring (Centre Support).....	92-ON	1	<b>AOD.SPR01</b>
418L	2-3 Accumulator Spring.....	94-02	1	<b>AOD.SPR06</b>
418L	2-3 Accumulator Spring (27.30mm Dia. Purple).....	92-ON	1	<b>AOD.SPR05</b>
419L	1-2 Accumulator Spring (27.30mm Dia. Purple).....	92-ON	1	<b>AOD.SPR05</b>
419L	1-2 Accumulator Spring (OEM).....	92-ON	1	<b>AODE.SPR01</b>
419L	1-2 Accumulator Spring (Sonnax®).....	92-ON	1	<b>AODE.SPR02</b>
NI	Spring & Ball Assy Stator (Cooler Bypass).....	92-ON	1	<b>AOD.SPR02</b>
430C	Circlip - Retaining Int OWC (Modified Spiral 3 Pack).....	92-ON	1	<b>AOD.CIR01</b>
430C	Circlip - Retaining Int OWC (OEM).....	92-ON	1	<b>AOD.CIR03</b>
432H	Circlip - Retaining Direct Clutch Pack (1.52mm - 1.63mm).....	92-ON	AR	<b>C4.CIR01</b>
	(2.24mm - 2.34mm).....	92-ON	AR	<b>C4.CIR02</b>
	(2.44mm).....	92-ON	AR	<b>AODE.CIR01</b>
	(2.54mm - 2.69mm).....	92-ON	AR	<b>C4.CIR03</b>
435G	Circlip, Centre Support.....	92-ON	1	<b>AOD.CIR09</b>
<b>FILTERS</b>				
450L	Pan Filter 2WD.....	92-95	1	<b>AODE.FIL01</b>
450L	Pan Filter 2WD.....	96-ON	1	<b>AODE.FIL02</b>
450L	Pan Filter 4WD.....	94-ON	1	<b>AODE.FIL02</b>
NI	Pressure Regulator Solenoid....	92-ON	1	<b>AODE.FIL03</b>
<b>BANDS</b>				
500B	Overdrive Band (50mm Wide) ..	92-ON	1	<b>AODE.BAN01</b>
501G	Reverse Band.....	92-ON	1	<b>AOD.BAN02</b>
<b>BUSHES</b>				
Kit	Bush Kit.....	92-94	1	<b>AODE.BK02</b>
Kit	Bush Kit.....	94-ON	1	<b>AODE.BK03</b>
550A	Front Pump Bush.....	92-ON	1	<b>C6.BUS01</b>
551A	Front Stator Bush.....	92-93	1	<b>AODE.BUS02</b>
551A	Front Stator Bush.....	94-ON	1	<b>AODE.BUS03</b>
552A	Rear Stator Bush.....	92-93	1	<b>AODE.BUS04</b>
552A	Rear Stator Bush.....	94-ON	1	<b>AODE.BUS05</b>
552B	Reverse Drum (Front).....	92-ON	1	<b>AOD.BUS10</b>
553B	Reverse Drum (Rear).....	92-ON	1	<b>AOD.BUS11</b>
556G	Drive Shell/Sun Gear.....	92-ON	2	<b>AOD.BUS08</b>
557G	Forward Sun Gear.....	92-ON	1	<b>AOD.BUS02</b>
559G	Planet Support (Installs in Centre Support).....	92-ON	1	<b>AOD.BUS03</b>
560G	Rear Planetary Bush Front (Large).....	92-ON	1	<b>AOD.BUS04</b>
561G	Rear Planetary Bush Rear (Small Brass With 2 Grooves)....	92-ON	1	<b>AOD.BUS07</b>
562J	Direct Drum (With Oil Feed Holes).....	92-ON	1	<b>AOD.BUS05</b>
564L	Rear Case Bush.....	92-ON	1	<b>AOD.BUS06</b>
565L	Extension Bush (AODE).....	92-ON	1	<b>C4.BUS02</b>
565L	Extension Bush (4R70W) (40.64mm ID).....	93-ON	1	<b>AODE.BUS06</b>

ILL NO.	DESCRIPTION	YEARS	QTY	PART NO
<b>THRUST WASHERS &amp; BEARINGS</b>				
Kit	Thrust Washer Kit (Selective Stator to Rev. Drum)	92-ON	1	<b>AOD.TWK01</b>
Kit	Thrust Bearing Kit (AODE).....	92-95	1	<b>AODE.TWK01</b>
Kit	Thrust Bearing Kit (4R70W).....	93-ON	1	<b>AODE.TWK02</b>
600A	Thrust Washer Selective (Stator Support to Reverse Drum)			
	# 1 (1.32mm Green).....	92-ON	AR	<b>AOD.THW01</b>
	# 2 (1.78mm Yellow).....	92-ON	AR	<b>AOD.THW02</b>
	# 3 (2.21mm Tan).....	92-ON	AR	<b>AOD.THW03</b>
	# 4 (2.64mm Red).....	92-ON	AR	<b>AOD.THW04</b>
	# 5 (3.07mm Blue).....	92-ON	AR	<b>AOD.THW05</b>
<b>THRUST WASHERS &amp; BEARINGS Cont...</b>				
650C	Bearing Forward Clutch Cylinder to Rev Drum Thrust (6 tang) .....	92-ON	1	<b>AOD.THW07</b>
652F	Bearing Fwd Clutch Hub R .....	92-ON	1	<b>AOD.THW11</b>
653G	Forward Sun Gear to Reverse Sun Gear Bearing.....	92-ON	1	<b>AOD.THW11</b>
653G	Forward Sun Gear to Reverse Sun Gear Bearing.....	03-ON	1	<b>AODE.THW10</b>
654H	Planet to Direct Drum Bearing ..	92-ON	1	<b>AOD.THW06</b>
655H	Planet to Direct Drum Spacer ..	92-ON	1	<b>AOD.THW10</b>
656J	Bearing Direct Clutch Rear (3 Element Bearing).....	92-ON	1	<b>AODE.THW09</b>
657K	Output Hub to Case Bearing.....	92-ON	1	<b>AODE.THW08</b>
<b>ELECTRICAL COMPONENTS</b>				
700L	Manual Position Sensor.....	92-97	1	<b>AODE.ELE03</b>
700L	Manual Position Sensor.....	8/96-ON	1	<b>AODE.ELE05</b>
700L	Manual Position Sensor (4R70W) (12 Pin x 21.85mm Thick).....	11/97-ON	1	<b>AODE.ELE12</b>
701L	Fluid Temperature Sensor.....	92-ON	1	<b>AODE.ELE02</b>
702L	Output Speed Sensor (VSS).....	92-ON	1	<b>AODE.ELE04</b>
702L	Output Speed Sensor (4R70W) (Square Connector Flat Pins) ...	01-ON	1	<b>AODE.ELE08</b>
702L	Output Speed Sensor (4R70/75W) (Square Connector Short Body)	01-ON	1	<b>AODE.ELE09</b>
703L	Shift Solenoid (Pair).....	92-97	1	<b>AODE.SOL01</b>
703L	Shift Solenoid (Pair Hard Wire) ..	98-08	1	<b>AODE.SOL10</b>
703L	Shift Solenoid (4R70/75E/W) (Pair).....	09-ON	1	<b>AODE.SOL13</b>
704L	Lock Up Solenoid 3 Ohm (Black Connector).....	92-94	1	<b>AODE.SOL03</b>
704L	Lock Up Solenoid 16 Ohm (White Connector).....	95-97	1	<b>AODE.SOL04</b>
704L	Lock Up Solenoid (Hard Wire) ..	98-ON	1	<b>AODE.SOL09</b>
704L	Lock Up Solenoid (4R70E, 4R75E/W).....	09-ON	1	<b>AODE.SOL14</b>
705L	EPC Solenoid.....	92-97	1	<b>AODE.SOL05</b>
705L	EPC Solenoid (Hard Wire).....	98-ON	1	<b>AODE.SOL07</b>
705L	EPC Solenoid (4R70W) (Short Tan Connector) (5.4Ltr & Some 5.0Ltr Engines)	99-04	1	<b>AODE.SOL11</b>
705L	EPC Solenoid (4R70E, 4R75E).....	05-ON	1	<b>AODE.SOL12</b>
705L	EPC Solenoid (4R70E, 4R75E/W).....	09-ON	1	<b>AODE.SOL15</b>
706L	Turbine Speed Sensor (4R70E, 4R75E).....	04-ON	1	<b>AODE.ELE11</b>
707L	Sensor, DTR (12 Pin, .860" Bolt Insert) (Crown Victoria).....	11/97-Up	1	<b>AODE.ELE12</b>
NI	EPC Sol 2nd Design Bracket....	93-95	1	<b>AODE.SOL08</b>
NI	Internal Harness (With Case Connector) .....	92-97	1	<b>AODE.ELE01</b>
NI	Internal Harness (Hard Wire)....	98-ON	1	<b>AODE.ELE07</b>

# FORD AODE, 4R70W, 4R70E, 2004- 4R75E 2004-4 SPEED RWD (Electronic Control)



AUTOMATIC CHOICE



THE AUTOMATIC TRANSMISSION PARTS WAREHOUSE

ILL NO.	DESCRIPTION	YEARS	QTY	PART NO
<b>ELECTRICAL COMPONENTS Cont...</b>				
NI	Internal Harness (Soft Wire) ..... (Hard Wire) .....	98-ON	1	<b>AODE.ELE13</b>
NI	Case Connector Only			
NI	External Harness (10 Pin).....	98-ON	1	<b>AODE.ELE06</b>
NI	Wire Harness External (Repair) (Case Connector, Solenoid) (AODE) (Rostra) .....	92-ON	1	<b>AODE.ELE08</b>
		92-97	1	<b>AODE.ELE10</b>
<b>VALVE BODY COMPONENTS</b>				
Kit	AODE/4R70W Junior Shift Kit (With Updated Valve) .....	92-ON	1	<b>AODE.SK01</b>
Kit	AODE/4R70W Reprogramming Kit .....	92-05	1	<b>AODE.SK02</b>
Kit	AODE "Sure Cure Kit" (Sonnax) .....	92-95	1	<b>AODE.SCK01</b>
Kit	AODE "Sure Cure Kit" (Sonnax) .....	96-ON	1	<b>AODE.SCK02</b>
NI	Pressure Regulator Spring (Upgrade Sonnax®).....	91-95	1	<b>AODE.SPR03</b>
NI	Pressure Regulator Spring & Valve (Upgrade Sonnax®).....	96-ON	1	<b>AODE.SPR04</b>
NI	Pressure Regulator Valve (Prevents Low Line Pressure)...	92-96	1	<b>AODE.VA01</b>
NI	Pressure Regulator Valve (Prevents Low Line Pressure)...	97-ON	1	<b>AODE.VA04</b>
NI	Bypass TCC Control Sleeve & Plunger (Eliminates Delayed TCC Apply & Shudder).....	92-ON	1	<b>AODE.SL01</b>
NI	Pressure Regulator Valve & Sleeve Ki (Prevents Poor Reverse Boost)	92-ON	1	<b>AODE.SL02</b>
NI	Valve Body Bore Sizing Tool .....			<b>AODE.VA06</b>
NI	Overdrive Servo, Boost Valve Kit (4R70W Only) (Sonnax™).....	01-ON	1	<b>AODE.SER06</b>
NI	Solenoid Regulator Valve Kit (Requires Tool AODE.VA09) Sonnax™).....	92-ON	1	<b>AODE.VA05</b>
NI	Bore Sizing Tool for AODE.VA05 (Sonnax®).....	92-ON	1	<b>AODE.VA09</b>
NI	Reverse Boost Valve & Sleeve (Requires Tool AODE.VA08) (Sonnax®).....	92-95	1	<b>AODE.VA10</b>
NI	Reverse Boost Valve & Sleeve (Oversize) (Requires Tool AODE.VA08) (Sonnax®).....	96-ON	1	<b>AODE.VA07</b>
NI	Reverse Boost Valve & Sleeve (Oversize) (Requires Tool AODE.VA08) (Sonnax®).....	92-96	1	<b>AODE.VA10</b>
NI	Reamer Kit for AODE.VA07 & AODE.VA10 (Sonnax®).....	92-ON	1	<b>AODE.VA08</b>
<b>HARD PARTS</b>				
800A	Pump Assy (Rebuilt) (14.43mm Deep Gears) .....	92-94	1	<b>AODE.PUM02</b>
800A	Pump Assy (15.47mm Deep Gears) .....	95-ON	1	<b>AODE.PUM01</b>
800A	Pump Assy (4R70E, 4R75E).....	04-ON	1	<b>AODE.PUM07</b>
801A	Short Pump Assy (15.47mm Deep Gears) .....	95-ON	1	<b>AODE.PUM03</b>
802A	Pump Gear Set (14.43mm Deep) .....	92-94	1	<b>AODE.PUM04</b>
802A	Pump Gear Set (15.47mm Deep) .....	95-ON	1	<b>AODE.PUM05</b>

ILL NO.	DESCRIPTION	YEARS	QTY	PART NO
<b>HARD PARTS Cont...</b>				
803A	Stator Support (Can Use AODE.SUP02) .....	92-94	1	<b>AODE.SUP01</b>
803A	Stator Support (Will Retro Fit 92-94) .....	94-ON	1	<b>AODE.SUP02</b>
807C	Retainer Intermediate OWC (14 Roller Sprag).....	93-97	1	<b>AODE.RET01</b>
808C	Outer Race Kit Int OWC (14 Roller) .....	92-97	1	<b>AODE.OWC04</b>
809C	Intermediate One Way Clutch (7 Rollers Green) .....	92-97	1	<b>AODE.OWC01</b>
809C	Intermediate One Way Clutch (14 Rollers) .....	92-97	1	<b>AODE.OWC03</b>
809C	Intermediate One Way Clutch (Mechanical Diode Assy) .....	98-ON	1	<b>AODE.OWC02</b>
810C	Reverse Drum (4 Plate) (7 Roller Sprag).....	92-ON	1	<b>AODE.DRU02</b>
810C	Reverse Drum (4 Plate) (14 Roller Sprag).....	92-97	1	<b>AODE.DRU03</b>
810C	Reverse Drum (4 Plate) (Mech Diode Type).....	98-ON	1	<b>AODE.DRU06</b>
812C	Piston, Reverse Clutch .....	92-ON	1	<b>AODE.PIS04</b>
813E	Forward Drum & Shaft Assy.....	92-ON	1	<b>AODE.DRU08</b>
816F	Forward Clutch Hub.....	92-ON	1	<b>AODE.DRU05</b>
817G	Drive Shell With Sun Gear (36T 104.78mm Tall) .....	92-97	1	<b>AODE.POT01</b>
817G	Drive Shell With Sun Gear (4R70/75W) (38 Teeth Magnetic) .....	92-ON	1	<b>AODE.POT02</b>
817G	Drive Shell With Sun Gear (Riveted) (4R70/75E/W) (38 Teeth, Non Magnetic).....	04-ON	1	<b>AODE.POT03</b>
818F	Direct Drive Shaft.....	92-ON	1	<b>AODE.SH01</b>
819G	Forward Sun Gear (30 Tooth) ...	92-ON	1	<b>AODE.SUN01</b>
819G	Forward Sun Gear (31 Tooth) ...	92-ON	1	<b>AODE.SUN02</b>
819G	Forward Sun Gear (31 Tooth) (Has ident Groove at Splines)...	03-ON	1	<b>AODE.SUN03</b>
820G	Centre Support.....	92-ON	1	<b>AODE.SUP01</b>
821G	Planetary Assy (Top Cover is 120.65mm OD) ...	92-ON	1	<b>AODE.PL01</b>
821G	Planetary Assy (Riveted) (25T on Long Gears) (4R70W) (Top Cover is 123.06mm OD) ...	93-ON	1	<b>AODE.PL02</b>
821G	Planetary Assy (Welded)(4R70W) (Top Cover is 123.06mm OD) ...	04-ON	1	<b>AODE.PL05</b>
822G	Low Roller Clutch.....	93-ON	1	<b>TH400.OWC01</b>
824J	Ring Gear (88T With Holes).....	92-ON	1	<b>AODE.PL03</b>
824J	Ring Gear (4R75W) (88T Without Sensor Holes).....	04-ON	1	<b>AODE.PL04</b>
826J	Direct Drum (6 Plate) .....	92-98	1	<b>AODE.DRU04</b>
828K	Hub, Output Shaft (Ringear) .....	92-ON	1	<b>AODE.HUB01</b>
829L	Pin - Overdrive Servo (Sonnax®).....	92-ON	1	<b>AODE.SER05</b>
830L	Valve Body With OD Cancel Button (5.72mm OD Dowel Pins) (Less Solenoids) .....	93-96	1	<b>AODE.VB01</b>
830L	Valve Body Less Solenoids (4.14mm OD Dowel Pins) .....	96-ON	1	<b>AODE.VB03</b>
<b>SPECIAL ITEMS</b>				
NI	Stator Support Sleeve (Hardened Steel) Reclaims Damaged Stator Support Bore (Prevents Converter Release Oil Circuit Leakage).....	92-ON	1	<b>AODE.SL03</b>
NI	Governor Bore Repair Sleeve (Needs AOD.TOOL07).....	92-ON	2	<b>AODE.SL04</b>
NI	Case Connector Oil Cooler Line (Quick Connect Type) .....	92-ON	2	<b>AODE.CON01</b>
NI	Case Connector Oil Cooler Line (With Double 'O' Rings).....	92-ON	2	<b>AODE.CON02</b>

