

FORD A4LD 4 SPEED RWD WITH LOCK UP

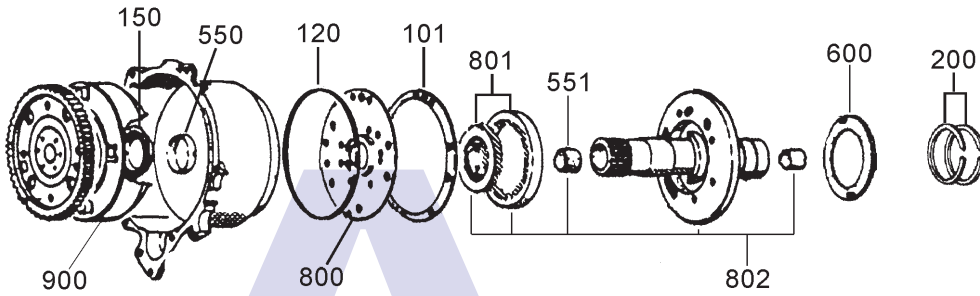


AUTOMATIC CHOICE



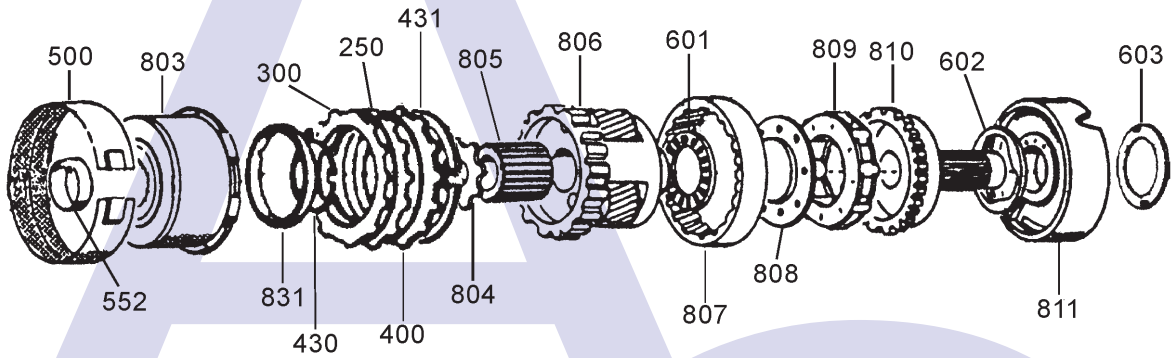
THE AUTOMATIC TRANSMISSION PARTS WAREHOUSE

A



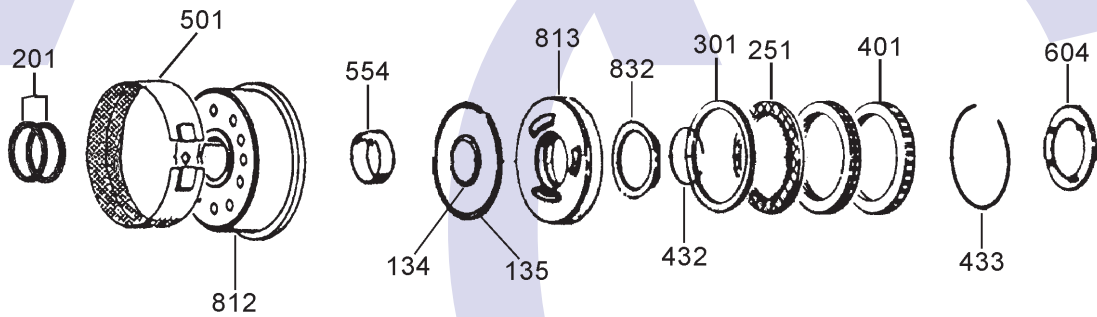
PUMP

B



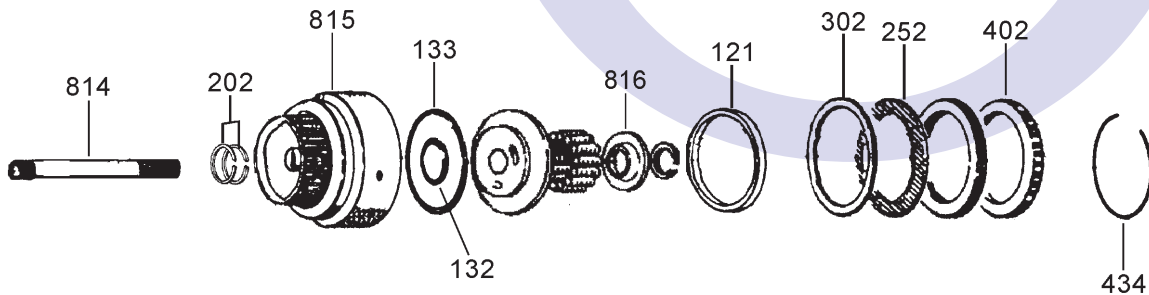
OVERDRIVE

C



DIRECT CLUTCH

D



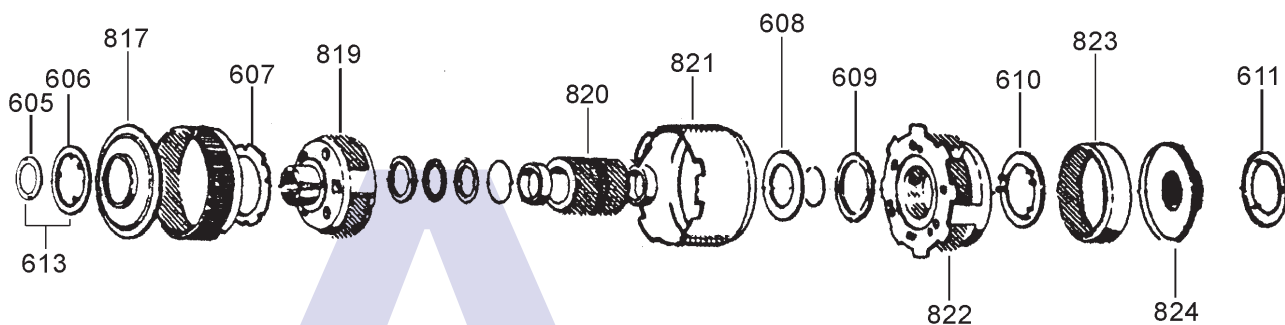
FORWARD CLUTCH

FORD A4LD 4 SPEED RWD WITH LOCK UP



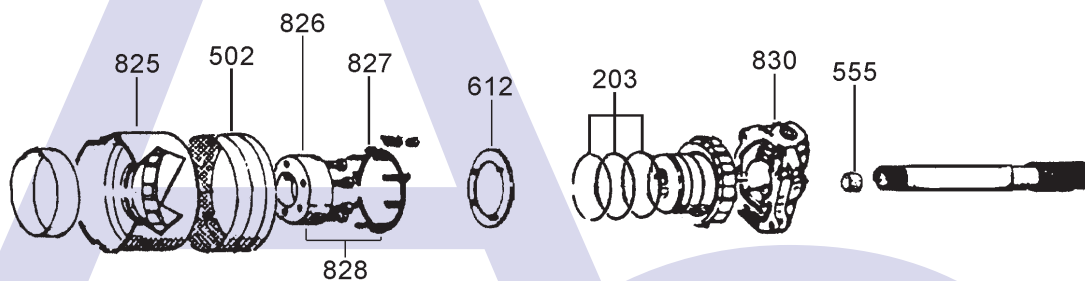
AUTOMATIC CHOICE

E



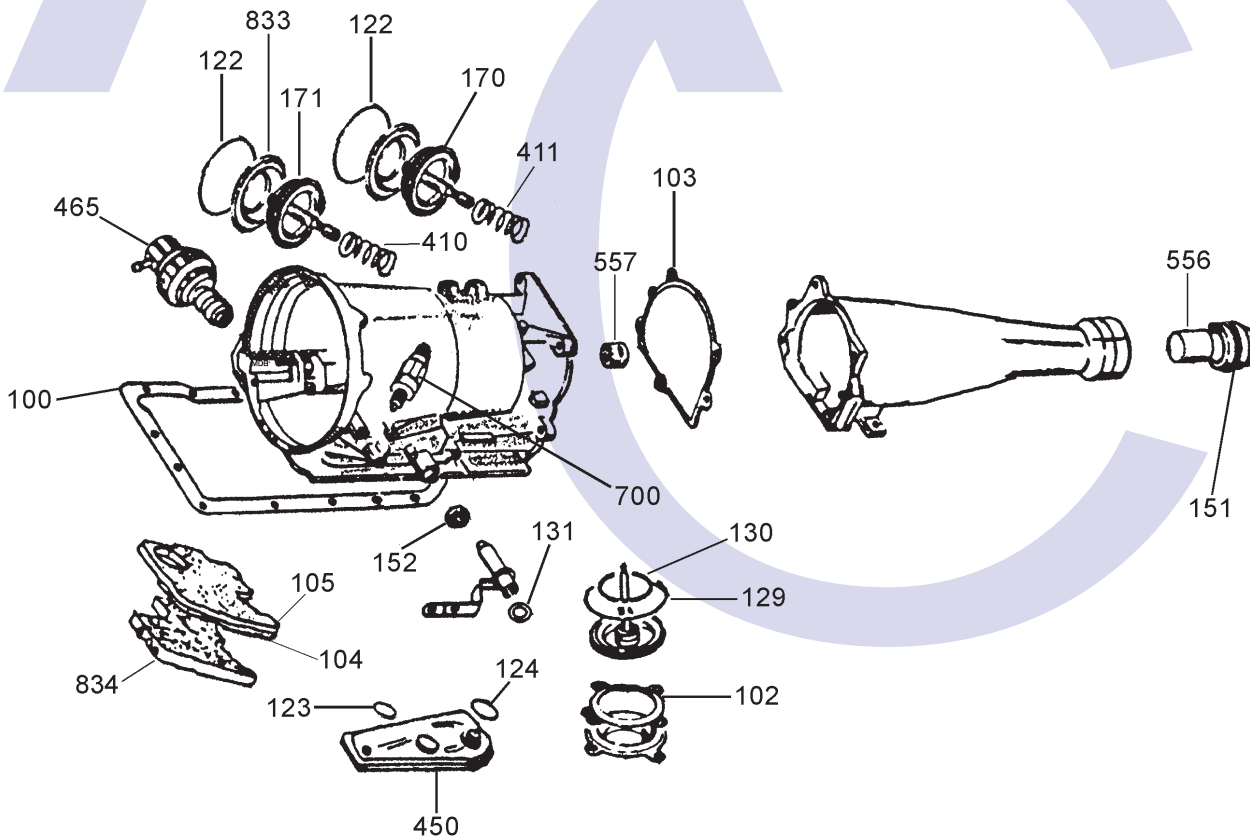
PLANET SETS

F



REAR BAND AND OUTPUT SHAFT

G



CASE AND SERVOS



THE AUTOMATIC TRANSMISSION PARTS WAREHOUSE

FORD A4LD

4 SPEED RWD WITH LOCK UP



AUTOMATIC CHOICE



THE AUTOMATIC TRANSMISSION PARTS WAREHOUSE

ILL NO.	DESCRIPTION	YEARS	QTY	PART NO
KITS				
Kit	Overhaul Kit A4LD (Transtec) ...	85-94	1	A4LD.OHK01
Kit	Overhaul Kit A4LD (Precision) ..	85-94	1	A4LD.OHK51
Kit	Gasket & Seal.....	85-94	1	A4LD.GSK01
GASKETS				
100G	Pan Gasket	85-ON	1	A4LD.GAS01
100G	Pan Gasket (Farpak).....	85-ON	1	A4LD.GAS10
101A	Front Pump	85-ON	1	C3.GAS02
102G	Rear Servo Cover Gasket.....	85-ON	1	C3.GAS04
103G	Extension Housing.....	85-ON	1	C3.GAS03
104G	Valve Body Lower	85-ON	1	A4LD.GAS02
104G	Valve Body Lower (OEM).....	85-ON	1	A4LD.GAS05
105G	Valve Body Upper	85-ON	1	A4LD.GAS03
105G	Valve Body Upper (OEM).....	85-ON	1	A4LD.GAS04
NI	Bell Housing Bolt Washer	85-87	1	C3.GAS08
RUBBER COMPONENTS				
120A	Converter Housing Lathe Cut Seal	85-ON	1	C3.SQR01
121D	Forward Clutch Rubber Cushion Ring (Early)....	85-89	1	C3.RUB03
121D	Forward Clutch Rubber Cushion Ring (Late)	89-ON	1	A4LD.RUB01
122G	Servo Cover Seal.....	85-ON	2	A4LD.OR04
123G	Filter O Ring Small.....	86-ON	1	A4LD.OR03
124G	Filter O Ring Large.....	86-ON	1	A4LD.OR02
NI	Filler Tube Seal	85-ON	1	A4LD.OR10
NI	Modulator O Ring.....	85-ON	1	C3.OR03
NI	Bell Housing Bolt O'ring.....	85-ON	8	A4LD.OR05
NI	Large Cooler Union O'ring.....	85-ON	2	A4LD.OR06
129G	Rear Servo Outer 'O' Ring.....	85-ON	1	C3.OR01
130G	Rear Servo Inner 'O' Ring.....	85-ON	1	C3.OR02
131G	Kickdown Shaft 'O' Ring	85-ON	1	C3.OR04
132D	Fwd Clutch Inner Seal.....	85-ON	1	C3.SQR02
133D	Fwd Clutch Outer Seal.....	85-ON	1	C3.SQR03
134C	3rd/Rev Clutch L. Cut Inner	85-87	1	C3.SQR04
134C	3rd/Rev Clutch Lip Seal Inner... ..	87-ON	1	C3.LIP01
135C	3rd/Rev Clutch L. Cut Outer.....	85-87	1	C3.SQR05
135C	3rd/Rev Clutch Lip Seal Outer ..	87-ON	1	C3.LIP02
NI	O. D. Clutch L. Cut Inner.....	85-87	1	C3.SQR04
NI	O. D. Clutch Lip Seal Inner.....	87-ON	1	C3.LIP01
NI	O. D. Clutch L. Cut Outer.....	85-87	1	C3.SQR05
NI	O. D. Clutch Lip Seal Outer	87-ON	1	C3.LIP02
METAL CLAD SEALS				
150A	Front Pump Seal (W/Flange)....	85-ON	1	A4LD.MCS01
150A	Front Pump Seal (Transit).....	85-ON	1	A4LD.MCS02
151G	Extension Housing.....	85-ON	1	C3.MCS02
152G	Selector Shaft All.....	85-ON	1	C3.MCS03
MOULDED PISTONS				
170G	Inter Servo Piston (53mm 'AB')	Various	1	A4LD.SER03
	(49mm 'BB')	Various	1	A4LD.SER02
	(46mm 'CB')	Various	1	A4LD.SER01
	(45mm 'DB')	Various	1	A4LD.SER07
	(43mm 'EB')	Various	1	A4LD.SER08
	(42mm 'FB')	Various	1	A4LD.SER09
171G	O.D. Servo Piston (59mm 'ZC' Transit Diesel).....	Various	1	A4LD.SER10
	(53mm 'AB')	Various	1	A4LD.SER03
	(49mm 'BB')	Various	1	A4LD.SER02
	(46mm 'CB')	Various	1	A4LD.SER01
	(45mm 'DB')	Various	1	A4LD.SER07

ILL NO.	DESCRIPTION	YEARS	QTY	PART NO
SEALING RINGS				
Kit	Sealing Ring Kit (Transtec) (Without Viton Governor Rings)	85-ON	1	A4LD.SRK01
NI	Stator Support Front (Teflon Scarf Cut)	85-ON	1	A4LD.SSR01
200A	Stator Support to OD Clutch (Steel)	85-ON	2	C3.SSR01
200A	Stator Support to OD Clutch (Teflon Scarf Cut)	85-ON	2	C3.SSR05
201C	Centre Support (Viton Rubber) (Early Wide Type)	85-92	2	A4LD.SSR02
201C	Centre Support (Viton Rubber) (Late Narrow Type)	93-ON	2	A4LD.SSR03
202D	Fwd Clutch to C. Support (Steel)	85-ON	2	C3.SSR02
203F	Governor Hub (Viton Rubber)...	85-ON	3	C3.SSR04
FRICITION PLATES				
Kit	Friction Kit	85-89	1	A4LD.FRK01
Kit	Friction Kit (Alto)	85-89	1	A4LD.FRK51
Kit	Friction Kit	90-ON	1	A4LD.FRK02
Kit	Friction Kit (Alto)	90-ON	1	A4LD.FRK52
250B	Overdrive (2.00mm).....	85-89	2-3	A4LD.FRP01
250B	Overdrive (2.00mm) (Borg Warner)	85-89	2-3	A4LD.FRP11
250B	Overdrive (1.75mm).....	90-ON	3	A4LD.FRP04
250B	Overdrive (1.75mm) (Borg Warner)	90-ON	3	A4LD.FRP14
251C	Third & Reverse (2.00mm).....	85-89	4-5	C3.FRP02
251C	Third & Reverse (2.00mm) (Borg Warner)	85-89	4-5	C3.FRP12
251C	Third & Reverse (1.75mm).....	90-ON	4-5	A4LD.FRP03
251C	Third & Reverse (1.75mm) (Borg Warner)	90-ON	4-5	A4LD.FRP13
252D	Forward (2.00mm)	85-89	4-5	C3.FRP01
252D	Forward (2.00mm) (Borg Warner)	85-89	4-5	C3.FRP11
252D	Forward (2.00mm) (Alto)	85-89	4-5	C3.FRP51
252D	Forward (1.75mm)	90-ON	4-5	A4LD.FRP02
252D	Forward (1.75mm) (Borg Warner)	90-ON	4-5	A4LD.FRP12
STEEL PLATES				
Kit	Steel Plate Kit	85-89	1	A4LD.STK01
Kit	Steel Plate Kit (Alto).....	85-89	1	A4LD.STK51
Kit	Steel Plate Kit	90-ON	1	A4LD.STK02
Kit	Steel Plate Kit (Alto)	90-ON	1	A4LD.STK52
300B	Overdrive (1.70mm).....	85-89	2-3	C3.STP04
300B	Overdrive (1.65mm).....	89-ON	3	A4LD.STP02
301C	Third & Reverse (1.70mm).....	85-89	4-5	C3.STP04
301C	Third & Reverse (1.65mm).....	90-ON	4-6	A4LD.STP02
302D	Forward (1.70mm)	85-89	4-5	C3.STP02
302D	Forward (1.65mm)	90-ON	4-5	A4LD.STP01
PRESSURE PLATES				
400B	Overdrive (5.08mm)	90-ON	1	A4LD.PP01
400B	Overdrive (5.59mm).....	85-89	1	A4LD.PP03
401C	Third & Reverse (5.08mm).....	90-ON	1	A4LD.PP01
401C	Third & Reverse (5.59mm).....	85-89	1	A4LD.PP03
402D	Forward (5.08mm)	90-ON	1	A4LD.PP02
SPRINGS & CIRCLIPS				
Kit	Snap Ring Kit	85-ON	1	A4LD.CIR10
NI	Return Spring O.D. Clutch	85-94	20	A4LD.SPR04
NI	Return Spring 3rd & Rev Ctch ..	85-94	20	A4LD.SPR04

FORD A4LD

4 SPEED RWD WITH LOCK UP



AUTOMATIC CHOICE



THE AUTOMATIC TRANSMISSION PARTS WAREHOUSE

ILL NO.	DESCRIPTION	YEARS	QTY	PART NO
SPRINGS & CIRCLIPS Cont...				
410G	Overdrive Servo.....	85-ON	1	A4LD.SPR09
411G	Intermediate Servo.....	85-ON	1	A4LD.SPR08
430B	Overdrive Piston Return Spring Retaining Circlip.....	85-ON	1	A4LD.CIR01
431B	Overdrive Clutch Pack Retaining Circlip (1.37mm Thick).....	85-ON	AR	C3.CIR05
	(1.67mm Thick).....	85-ON	AR	C3.CIR04
	(2.08mm Thick).....	85-ON	AR	C3.CIR02
	(2.44mm Thick).....	85-ON	AR	C3.CIR01
432C	Third & Reverse Piston Return Spring Retaining Circlip..	85-ON	1	A4LD.CIR01
433C	Third & Reverse Clutch Pack Retaining Circlip (1.37mm Thick).....	85-ON	AR	C3.CIR05
	(1.67mm Thick).....	85-ON	AR	C3.CIR04
	(2.08mm Thick).....	85-ON	AR	C3.CIR02
	(2.44mm Thick).....	85-ON	AR	C3.CIR01
434D	Forward Clutch Pack Retaining Circlip (1.35mm Thick).....	85-ON	AR	C3.CIR03
	(1.67mm Thick).....	85-ON	AR	C3.CIR06
FILTERS				
Kit	Filter Kit (With A4LD.FIL01)	85-88	1	A4LD.FILKIT01
Kit	Filter Kit (With A4LD.FIL02)	89-93	1	A4LD.FILKIT02
Kit	Filter Kit (With A4LD.FIL03)	86-ON	1	A4LD.FILKIT03
Kit	Filter Kit (With A4LD.FIL13)	86-ON	1	A4LD.FILKIT13
Kit	Filter Kit (With A4LD.FIL16)	89-ON	1	A4LD.FILKIT16
450G	Filter Flat.....	85-88	1	A4LD.FIL01
450G	Filter Small Spout.....	89-93	1	A4LD.FIL02
450G	Filter (Large Paper Element).....	89-ON	1	A4LD.FIL16
450G	Filter Transit & Taxi	86-ON	1	A4LD.FIL03
450G	Filter Transit & Taxi (Felt Element)	86-ON	1	A4LD.FIL13
NI	Valve Body Solenoid Filter (Cone Shape).....	85-94	1	A4LDFIL04
NI	Valve Body Solenoid Filter (Square Shape).....	94-ON	1	A4LDFIL05
MODULATORS				
465G	Modulator 2.0 Ltr & 2.4 Ltr (Small Gold OEM No Longer Available) (Case Change Required)	85-87	1	A4LD.MOD01
465G	Modulator 2.8 Ltr (Small Silver OEM)	85-87	1	A4LD.MOD02
465G	Modulator Large All OEM.....	87-ON	1	A4LD.MOD03
465G	Modulator Large Adjustable	87-ON	1	A4LD.MOD04
465G	Modulator Large 2.8 Ltr (OEM)	87-88	1	A4LD.MOD05
83G	Modulator Large (With Large Wheel Aduster).....	87-ON	1	A4LD.MOD06
NI	Modulator Pin (Small Can).....	85-87	1	A4LD.PIN01
NI	Modulator Pin (Large Can).....	87-ON	1	A4LD.PIN02
NI	Electronic Modulator (Transit Diesel).....	????	1	A4LD.ELE07
NI	Electronic Modulator (Ultima Diesel)	????	1	A4LD.ELE08
NI	Modulator Pin (Small Can) (34.50mm Long x 2.45mm Dia)	85-87	1	A4LD.PIN01
NI	Modulator Pin (Large Can) (34.50mm Long x 3.14mm Dia)	88-ON	1	A4LD.PIN02

ILL NO.	DESCRIPTION	YEARS	QTY	PART NO
BANDS				
500B	Overdrive Band.....	85-ON	1	C3.BAN01
500B	Overdrive Band (Borg Warner)	85-ON	1	C3.BAN12
500B	Overdrive Band Flex Split Type (4.0 Ltr Engine)	90-92	1	A4LD.BAN01
501C	Intermediate Band.....	85-ON	1	C3.BAN01
501C	Intermediate Band (Borg Warner)	85-ON	1	C3.BAN12
502F	Low & Reverse.....	85-ON	1	C3.BAN04
NI	Band Adjusting Nut	85-ON	2	C3.NUT01
NI	Rear Band Anchor Pin Kit (Sonnax)	85-ON	1	A4LD.BAN02
BUSHINGS				
Kit	Bush Kit.....	85-89	1	A4LD.BK01
Kit	Bush Kit.....	90-94	1	A4LD.BK02
550A	Bell Housing (Babbit)	85-ON	1	C3.BUS01
550A	Bell Housing (Bronze).....	85-ON	1	C3.BUS02
551A	Stator Support.....	90-ON	1	A4LD.BUS05
552B	Overdrive Drum.....	85-ON	1	A4LD.BUS07
NI	Overdrive Planetary Annulus	85-ON	1	A4LD.BUS08
554C	Third & Reverse Drum (Steel)...	85-ON	1	A4LD.BUS02
554C	Third & Reverse Drum (Cast) ...	85-ON	1	A4LD.BUS06
555.F	Output Shaft.....	85-89	1	A4LD.BUS03
555F	Output shaft	90-ON	1	A4LD.BUS01
556G	Extension Housing.....	85-ON	1	C3.BUS03
557G	Rear Case Bushing.....	85-ON	1	C3.BUS05
THRUST WASHERS & BEARINGS				
Kit	Thrust Washer	85 only	1	A4LD.TWK01
Kit	Thrust Washer (Except 4.0Ltr) ..	86-ON	1	A4LD.TWK02
Kit	Thrust Washer (4.0 Ltr)	90-ON	1	A4LD.TWK03
Kit	Selective Thrust Washer Pump & Centre Sup. (Plastic)...	85-ON	1	A4LD.TK03
600A	Front Pump to Overdrive Drum Selective #A 1.20mm	85-ON	AR	C3.THW10
	Selective #B 2.20mm	85-ON	AR	C3.THW11
	Selective #C 2.40mm.....	85-ON	AR	C3.THW12
	Selective #D 2.60mm.....	85-ON	AR	C3.THW13
	Selective #E 2.80mm	85-ON	AR	C3.THW08
	Selective #A 1.20mm Plastic	85-ON	AR	C3.THW21
	Selective #B 1.60mm Plastic	85-ON	AR	C3.THW22
	Selective #C 2.00mm Plastic	85-ON	AR	C3.THW23
	Selective #D 2.40mm Plastic	85-ON	AR	C3.THW24
	Selective #E 2.80mm Plastic	85-ON	AR	C3.THW25
601B	Overdrive Planetary Torrington ..	85-ON	1	A4LD.TOR01
602B	Centre Support Front Thrust Washer (2 Tangs).....	85-92	1	A4LD.THW01
602B	Centre Support Front (Radial Needle Bearing).....	92-ON	1	A4LD.TOR02
603B	Centre Support Rear Selective . Selective #1 1.40mm	85-ON	AR	C3.THW01
	Selective #2 1.60mm	85-ON	AR	C3.THW02
	Selective #3 1.70mm	85-ON	AR	C3.THW03
	Selective #4 1.80mm	85-ON	AR	C3.THW04
	Selective #5 1.90mm	85-ON	AR	C3.THW05
	Selective #6 2.00mm	85-ON	AR	C3.THW06
	Selective #7 2.10mm	85-ON	AR	C3.THW07
NI	Rear Centre Support (Use Only With Clip On Drive Shell) Selective Torrington 4.01mm	91-ON	AR	A4LD.TOR03
	Selective Torrington 3.81mm.....	91-ON	AR	A4LD.TOR04
	Selective Torrington 3.62mm.....	91-ON	AR	A4LD.TOR05
	Selective Torrington 3.41mm.....	91-ON	AR	A4LD.TOR06
604C	3rd & Rev. Drum to Fwd Drum..	85-ON	1	A4LD.THW07
605E	Front Planet (3 Tangs on I.D.)...	85-87	1	C3.THW15
606E	Front Planet (4 Tabs on I.D.).....	85-87	1	C3.THW16

FORD A4LD 4 SPEED RWD WITH LOCK UP



AUTOMATIC CHOICE



THE AUTOMATIC TRANSMISSION PARTS WAREHOUSE

ILL NO.	DESCRIPTION	YEARS	QTY	PART NO
THRUST WASHERS & BEARINGS Cont...				
607E	Thrust Washer 6 Tang (Forward Planet to Hub).....	85-87	1	C3.THW09
607E	Bearing & Race (Forward Planet to Hub).....	86-87	1	A4LD.THW17
608E	Thrust Plate (Rear of D. Shell)..	85-ON	1	A4LD.THW14
609E	Front of Alum Rear Planet.....	85-92	1	C3.THW09
609E	Front of Steel Rear Planet	92-ON	1	A4LD.THW06
610E	Rear of Alum Rear Planet.....	85-92	1	C3.THW09
610E	Rear of Steel Rear Planet.....	92-ON	1	A4LD.THW05
610E	Rear of Steel Rear Planet (4.0L 6 Tang W/3 Lube Groves .	90-94	1	A4LD.THW09
611E	Rear Hub to OWC Inner Race ..	85-92	1	C3.THW14
611E	Rear Hub to OWC Inner Race ..	92-ON	1	A4LD.THW04
611E	Rear Hub to OWC Inner Race (4.0Ltr)	90-94	1	A4LD.THW11
NI	Retainer Rear OWC (4.0Ltr)	90-94	1	A4LD.THW10
NI	Late Low Sprag Update Kit (2 x Bronze, 1x Steel Washers)	90-94	1	A4LD.THW15
612F	Case to Governor Support.....	85-ON	1	C3.THW19
613E	Front Planet (Bearing & Race Set 3 Piece)...	91-ON	1	A4LD.THW18
ELECTRICAL COMPONENTS				
NI	Electronic Modulator (Transit Diesel).....	????	1	A4LD.ELE07
NI	Electronic Modulator (Ultima Diesel)	????	1	A4LD.ELE08
700G	Inhibitor Switch (3 Pin)	85-ON	1	A4LD.INH01
700G	Inhibitor Switch (4 Pin)	85-ON	1	CTX.INH02
700G	Inhibitor Switch (5 Pin 4.0Ltr)....	85-ON	1	A4LD.INH02
NI	Kickdown Solenoid (2 Bolt).....	-4/89	1	A4LD.SOL01
NI	Kickdown Solenoid (3 Bolt With Round Connector) .	4/89-	1	A4LD.SOL02
NI	Kickdown Solenoid (3 Bolt With Triangular Connector)	92-ON	1	A4LD.SOL07
NI	Lock Up Solenoid (OEM)	85-ON	1	A4LD.SOL25
NI	Lock Up Solenoid (Fitzall)	85-ON	1	A4LD.SOL06
NI	3-4 Shift Solenoid (OEM)	88-ON	1	A4LD.SOL23
NI	3-4 Shift Solenoid (Fitzall).....	88-ON	1	A4LD.SOL03
NI	3-4 Shift Solenoid With Spacer (Replaces Screen Type)	88-ON	1	A4LD.SOL27
NI	Spacer-3-4 Shift Shift Solenoid.	88-ON	1	A4LD.SOL14
NI	Speed Sensor (Round Connector)	TO-8/89	1	A4LD.ELE05
NI	Speed Sensor (Triangular Connector).....	8/89-ON	1	A4LD.ELE02
NI	Case Connector L/UP Solenoid (Early 2 Wire Single Solenoid)..	85-ON	1	A4LD.ELE06
NI	Case Connector, L/Up & OD Solenoid (Late 3 Wire Twin Solenoid).....	88-ON	1	A4LD.ELE03
VALVE BODY PARTS				
Kit	Shift Kit (TransGo Junior™).....	85-ON	1	A4LD.SK01
Kit	Shift Kit (Full)	85-ON	1	A4LD.SK02
NI	Valve Body Internal Filter (Cone Shape).....	85-94	1	A4LD.FIL04
NI	Valve Body Solenoid Filter (Square Shape).....	94-ON	1	A4LDFIL05
NI	Clamp Bracket (Twin Sol's).....	87-94	1	A4LD.ELE04
NI	Sonax Boost Valve 'O' Ring	85-ON	1	A4LD.OR11
NI	T.C. Shuttle Valve Spring	86-ON	1	A4LD.SPR01
NI	T.C. Shuttle Valve Spring (Sonnax)	86-ON	1	A4LD.SPR07
NI	Modified 4-3 Torque Demand Spring Early Single Sol V.B's....	85-87	1	A4LD.SPR02
NI	3-4 Backout Valve Spring.....	85-94	1	A4LD.SPR03

ILL NO.	DESCRIPTION	YEARS	QTY	PART NO
VALVE BODY PARTS Cont...				
NI	2-3 Backout Valve Spring.....	87-94	1	A4LD.SPR05
NI	Lock Up Anti Shudder Spring (2 Springs per Pack)	87-94	1	A4LD.SPR06
NI	Modulator Valve (Large Dia)	87-94	1	A4LD.VA01
NI	2-3 Throttle Pressure Modulator Valve (8.67mm Dia) ...	87-94	1	A4LD.VA02
NI	2-3 Throttle Pressure Modulator Valve (9.02mm Dia) .	87-94	1	A4LD.VA03
NI	2-3 Throttle Pressure Modulator Valve (9.40mm Dia) .	87-94	1	A4LD.VA04
NI	2-3 Throttle Pressure Modulator Valve (9.44mm Dia) .	87-94	1	A4LD.VA05
NI	Manual Valve Index (Ensures Correct Manual Valve Location)87-94		1	A4LD.VA06
NI	Large Ratio Press Regulator Boost Valve Kit (Sonnax)	85-94	1	A4LD.VA07
NI	Large Ratio Press Regulator Boost Valve Kit (Factory Style) .	85-94	1	A4LD.VA09
NI	Small Ratio Press Regulator Boost Valve Kit (Sonnax)	85-94	1	A4LD.VA08
NI	Small Ratio Press Regulator Boost Valve Kit (Factory Style) .	85-94	1	A4LD.VA12
NI	O. S. Pressure Reg Valve Kit With Boost Valve Kit.....	85-94	1	A4LD.VA13
NI	Retainer Kit (Use with A4LD.VA13 Above) ...	85-94	1	A4LD.VA14
NI	Retaining Pin - Valve Body	85-ON	AR	A4LD.VA15
NI	Retaining Disc - Valve Body.....	85-ON	AR	A4LD.VA16
NI	Retaining Plate (Rectangular) For Valve Body.....	85-ON	AR	A4LD.VA17
NI	Relief Valves (Pack of 10).....	85-ON	AR	A4LD.VA18
NI	Vacumn Control Valve (Transit)		1	A4LD.VA10
NI	Governor Valve (2.5Ltr Diesel Transit Use With A4LD.GOV02 Governor Body)..	85-ON	1	A4LD.VA11
HARD PARTS				
800A	Pump Wear Plate.....	85-87	1	A4LD.SP01
800A	Pump Wear Plate.....	88-94	1	A4LD.SP02
801A	Pump Gear Set	85-94	1	C3.PUM03
802A	Pump New (Early Small Bolt Holes).....	85-87	1	A4LD.PUM01
802A	Pump New (Late Large Bolt Holes)	87-ON	1	A4LD.PUM02
802A	Pump Rebuilt (Early Small Bolt Holes).....	85-87	1	A4LD.PUM31
802A	Pump Rebuilt (Late Large Bolt Holes)	87-ON	1	A4LD.PUM32
803B	3 Plate Overdrive Drum (New)	85-89	1	A4LD.DRU03
803B	3 Plate Overdrive Drum (New)	90-94	1	A4LD.DRU04
803B	3 Plate Overdrive Drum (New)	90-94	1	A4LD.DRU04
803B	3 Plate Overdrive Drum (Transit New)	8/92-ON	1	A4LD.DRU07
803B	2 Plate Overdrive Drum (New) ..	92-ON	1	A4LD.DRU11
803B	2 Plate Overdrive Drum (Remanufactured)	85-ON	1	A4LD.DRU34
NI	Overdrive Clutch Piston	85-ON	1	A4LD.PIS02
804B	Overdrive Adaptor Plate.....	85-ON	1	A4LD.THW03
805B	Overdrive Sun Gear	85-ON	1	A4LD.SUN01
805B	Overdrive Sun Gear (4.0Ltr)	90-ON	1	A4LD.SUN04
806B	Overdrive Planet (New)	85-94	1	A4LD.PL02
806B	Overdrive Planet (Cosworth).....	91-ON	1	A4LD.PL03
807B	Annulus - Overdrive Planetary (Metal One Way Clutch).....	85-92	1	A4LD.PL21

FORD A4LD 4 SPEED RWD WITH LOCK UP



AUTOMATIC CHOICE

ILL NO.	DESCRIPTION	YEARS	QTY	PART NO
HARD PARTS Cont...				
807B	Annulus - Overdrive Planetary (Plastic One Way Clutch).....	92-ON	1	A4LD.PL22
808B	Overdrive O.W.C. Retaining Plate.....	85-92	1	A4LD.THW02
809B	Overdrive Sprag (Metal Cage) ..	85-92	1	A4LD.OWC01
809B	Overdrive Sprag (Plastic Cage)	6/92-ON	1	A4LD.OWC02
810B	Overdrive Output Shaft Early	85-91	1	A4LD.SH02
810B	Overdrive Output Shaft Late	2/91-ON	1	A4LD.SH04
810B	Overdrive Output Shaft (4.0Ltr)	90-ON	1	A4LD.SH34
811B	Centre Support (Late Type) Requires Bearings to Convert Early Units to Late Spec	85-ON	1	A4LD.SUP01
811B	Centre Support (Early Type) (Remanufactured)	85-92	1	A4LD.SUP02
812C	5 Plate Steel 3rd & Rev Drum (New)	85-ON	1	A4LD.DRU02
812C	5 Plate Steel 3rd & Rev Drum (Remanufactured)	85-ON	1	A4LD.DRU32
812C	5 Plate Cast 3rd & Rev Drum....	92-ON	1	A4LD.DRU01
812C	5 Plate Cast 3rd & Rev Drum (C3 Early Type)	85-92	1	C3.DRU01
812C	6 Plate 3rd & Rev Drum	90-ON	1	A4LD.DRU08
813C	3rd & Rev Clutch Piston	92-ON	1	C3.PIS02
813C	3rd & Rev Clutch Piston (Large Diameter to Suit A4LD.DRU01)	92-ON	1	A4LD.PIS01
814D	Input Shaft.....	85-ON	1	A4LD.SH01
815D	Drum, Forward Clutch (6 Plate) (Uses Bearing at Front).....	90-95	1	A4LD.DRU14
816D	Retainer, Forward piston Spring	85-ON	1	A4LD.RET02
817E	Hub - Fwd Planetary Annulus (40.40mm ID x 57 Splines)	87-ON	1	A4LD.HUB04
817E	Hub - Fwd Planetary Annulus (40.40mm ID x 12 Splines)	87-ON	1	A4LD.HUB05
819E	Fwd Planetary Alum (With Snap Ring Groove).....	85-87	1	C3.PL03
819E	Fwd Planetary Alum (Without Snap Ring Groove) With Ringear, Hub & Washers ..	88-91	1	C3.PL01
819E	Fwd Planetary (Steel 3 Pin)	88-94	1	A4LD.PL07
819E	Fwd Planetary (Steel 4 Pin)	92-ON	1	A4LD.PL05
819E	Fwd Planetary (Steel 6 Pin)	92-ON	1	A4LD.PL06
820E	Forward Sun Gear	85-ON	1	A4LD.SUN02
821E	Drive Shell (Non Clip on Type) ..	85-ON	1	A4LD.POT02
821E	Drive Shell (Clip on Type)	89-92	1	A4LD.POT03
822E	Low Planetary (Alum 3 Pin)	85-89	1	C3.PL02
822E	Low Planetary (Steel 4 Pin)	85-90	1	A4LD.PL08
822E	Low Planetary (Steel 6 Pin)	90-ON	1	A4LD.PL09
822E	Low Planetary (Steel 6 Pin with 30 Lugs)	90-ON	1	A4LD.PL10
823E	Annulus - Low Planetary (Washer Type).....	85-94	1	A4LD.PL11
823E	Annulus - Low Planetary (4.0Ltr 40.90mm OD)	85-94	1	A4LD.PL29
824E	Hub Rear Anulus (Late)	92-ON	1	A4LD.HUB01
825F	Reverse Band Drum & OWC 2.9 Transit & 4.0 Ltr.....	90-94	1	A4LD.DRU10
825F	Reverse Band Drum Less OWC 2.9 Transit & 4.0 Ltr.....	90-94	1	A4LD.HUB02
826F	Low OWC Inner Race (Except 4.0Ltr)	85-ON	1	A4LD.OWC04
826F	Low OWC Inner Race (4.0Ltr 68.45mm OD)	90-ON	1	A4LD.OWC05
827F	Rear One Way Clutch (Large 4.0 Ltr Sprag Style).....	90-94	1	5R55E.OWC02
828F	Low OWC Spring & Roller Kit ...	85-ON	1	A4LD.OWC06
NI	Late Model Low Sprag Update Kit (Drum, Inner Race & Washers).	92-ON	1	A4LD.OWC07
830F	Governor Body	85-ON	1	A4LD.GOV01

ILL NO.	DESCRIPTION	YEARS	QTY	PART NO
HARD PARTS Cont...				
830F	Governor Body (2.5 D Transit) ..	85-ON	1	A4LD.GOV02
830F	Governor Body (4.0Ltr)	90-ON	1	A4LD.GOV03
831B	O/D Piston Spring Retainer.....	85-ON	1	A4LD.RET01
832C	3rd & Rev Piston Spr Retainer..	85-ON	1	A4LD.RET01
833G	Overdrive Servo Cover 'AB'	85-ON	1	A4LD.COV03
833G	Overdrive Servo Cover 'ZC' (For Diesel Transit 59mm)	90-ON	1	A4LD.COV10
834G	Valve Body Assembly (2.5Ltr Diesel Transit).....	90-ON	1	A4LD.VB07
834G	Valve Body Assembly (4.0Ltr)	90-ON	1	A4LD.VB08
NI	Int & O.D. Band Lever 'A'	85-ON	1-2	A4LD.LEV03
NI	Int & O.D. Band Lever ' '	85-ON	1-2	A4LD.LEV02
NI	Int & O.D. Band Lever 'C'	85-ON	1-2	A4LD.LEV04
NI	Int & O.D. Band Lever 'G'	85-ON	1-2	A4LD.LEV01
SPECIAL ITEMS				
NI	Modulator Pin (Small Can) (34.50mm Long x 2.45mm Dia)	85-87	1	A4LD.PIN01
NI	Modulator Pin (Large Can) (34.50mm Long x 3.14mm Dia)	88-ON	1	A4LD.PIN02
NI	Nut - Band Adjuster.....	85-ON	2	C3.NUT01
NI	Case Breather Pipe.....	85-ON	1	A4LD.BRE01
NI	Cable Clip	85-ON	1	A4LD.CL01
NI	Torque Converter Nut.....	85-ON	4	A4LD.NUT01
NI	Caged Centre Support Nut	85-ON	1	A4LD.NUT02
NI	Filler Tube	85-ON	1	A4LD.TU01
NI	Taxi Converter Adaptor Plate		1	A4LD.FP01
NI	Magnet (Oil Pan).....	85-ON	1	A4LD.MAG01
NI	Cooler to Case Union (Large)	92-94	2	A4LD.UN01
NI	Transit Vacuum Metering Valve (Fits on Throttle Linkage)	Diesel	1	A4LD.VA10
NI	Case Repair Sleeve (Selector Shaft) (Requires A4LD.TOOL08).....		1	A4LD.SL01
NI	Revrs Servo Sleeve Kit (Sonnax) (Requires Machining of the Servo)	85-ON	1	A4LD.SL02
TOOLS & SERVICE MANUALS				
NI	ATSG Rebuild Manual	85-ON		A4LD.MAN01
NI	ATSG Update Hand Book.....	85-ON		A4LD.MAN03
Click here to view special tools for this transmission				



THE AUTOMATIC TRANSMISSION PARTS WAREHOUSE