

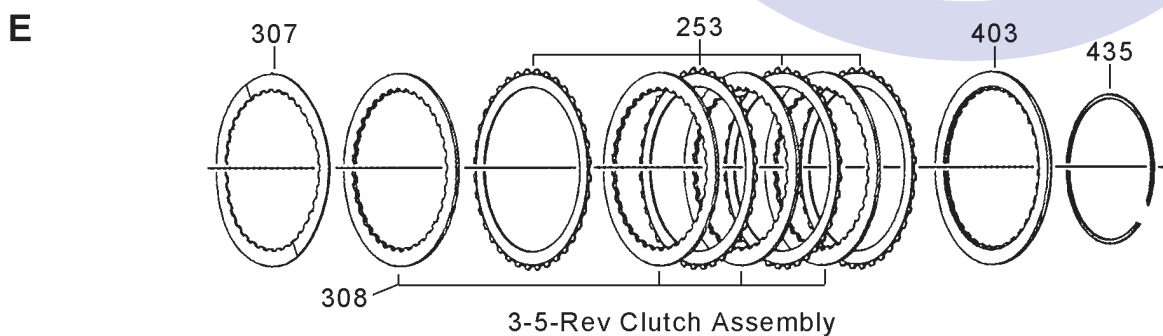
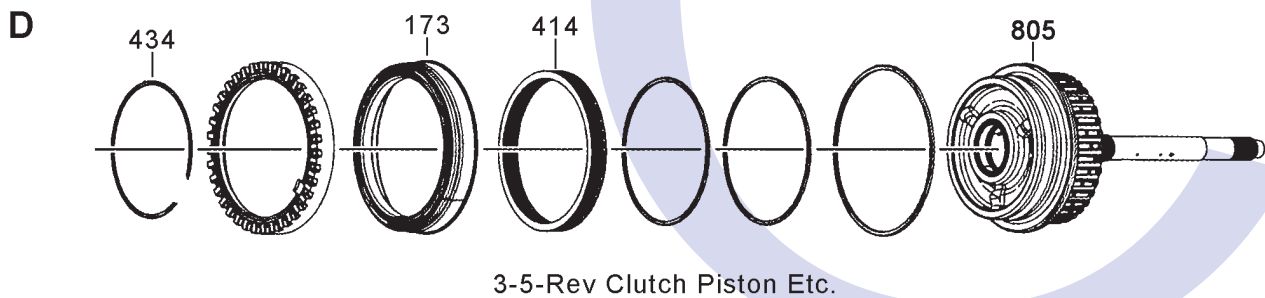
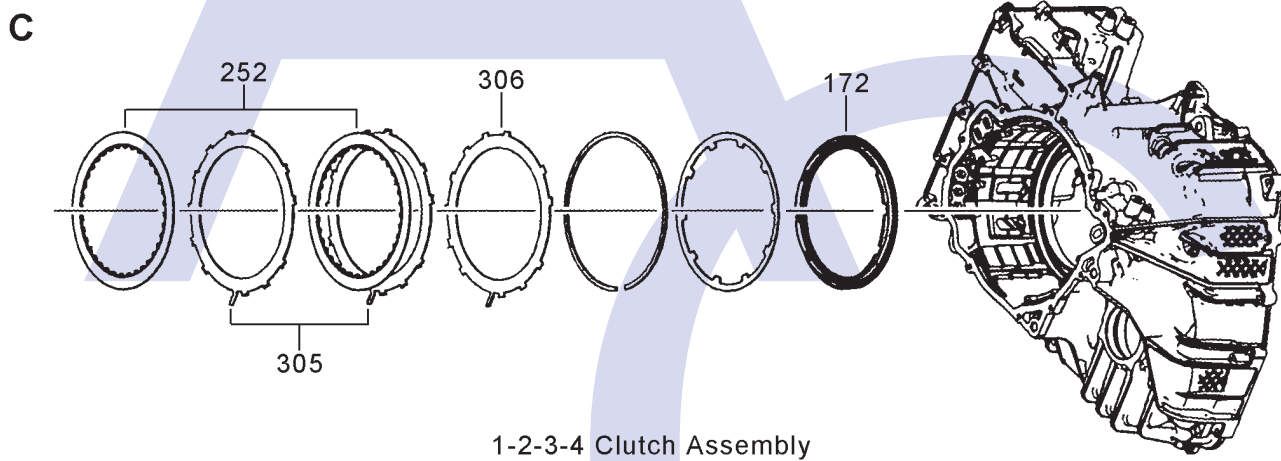
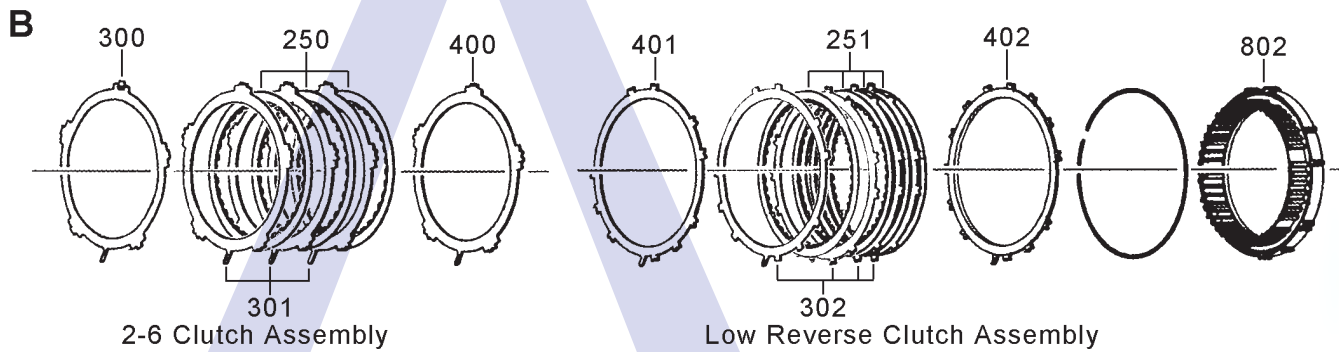
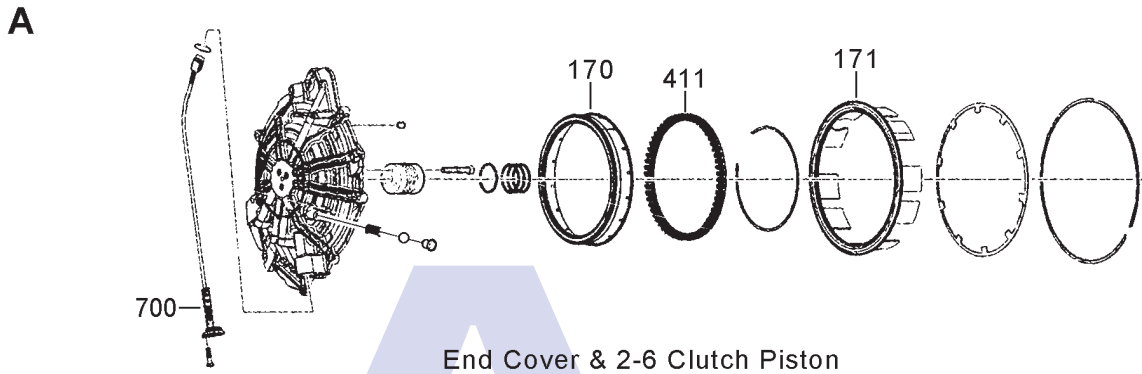
GM 6T70/75 & Ford 6F50/55 6 Speed FWD (Electronic Control)



AUTOMATIC CHOICE



THE AUTOMATIC TRANSMISSION PARTS WAREHOUSE



GM 6T70/75 & Ford 6F50/55 6 Speed FWD (Electronic Control)

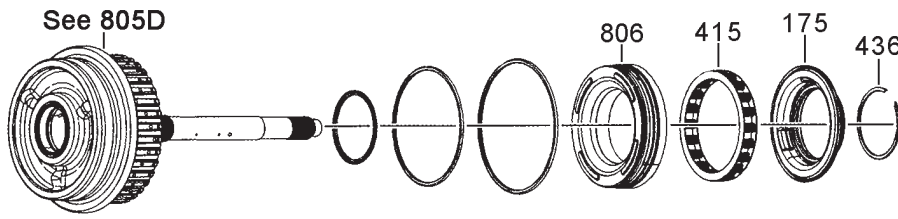


AUTOMATIC CHOICE



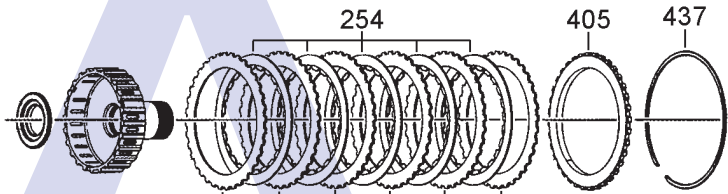
THE AUTOMATIC TRANSMISSION PARTS WAREHOUSE

F



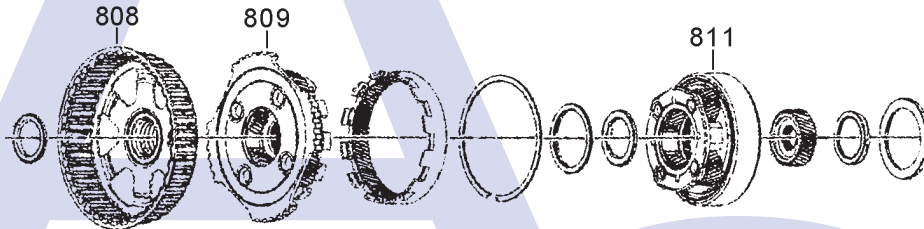
4-5-6 Clutch Piston Etc.

G



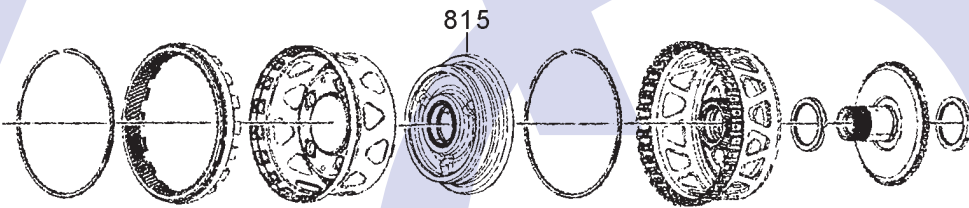
4-5-6 Clutch Assembly

H



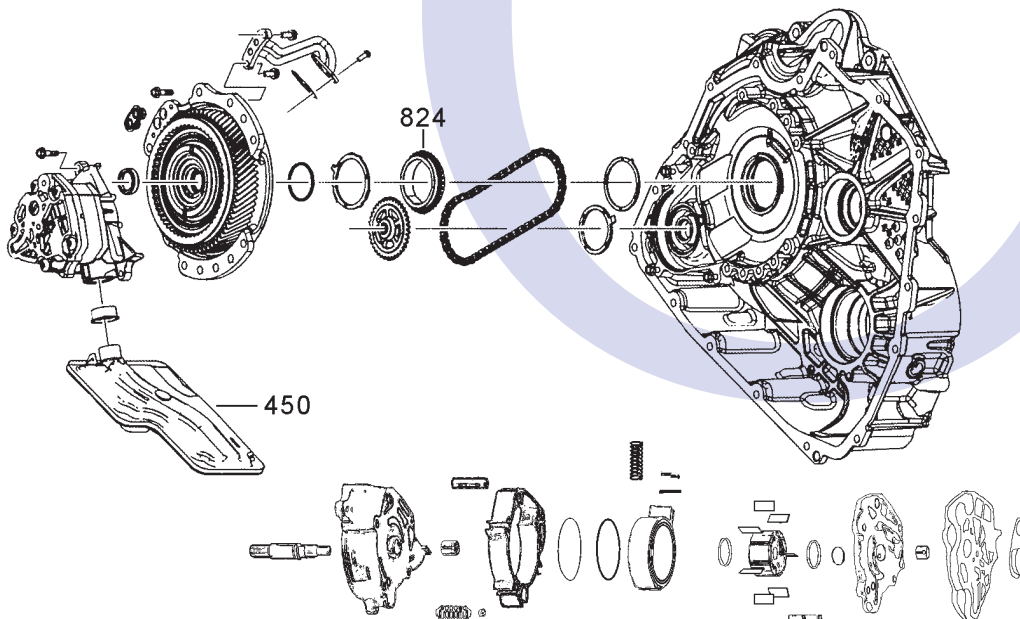
Planetary Etc.

J



Planetary Etc.

K



Filter, Oil Pump & Ancillary Items

GM 6T70/75 & Ford 6F50/55 6 Speed FWD (Electronic Control)

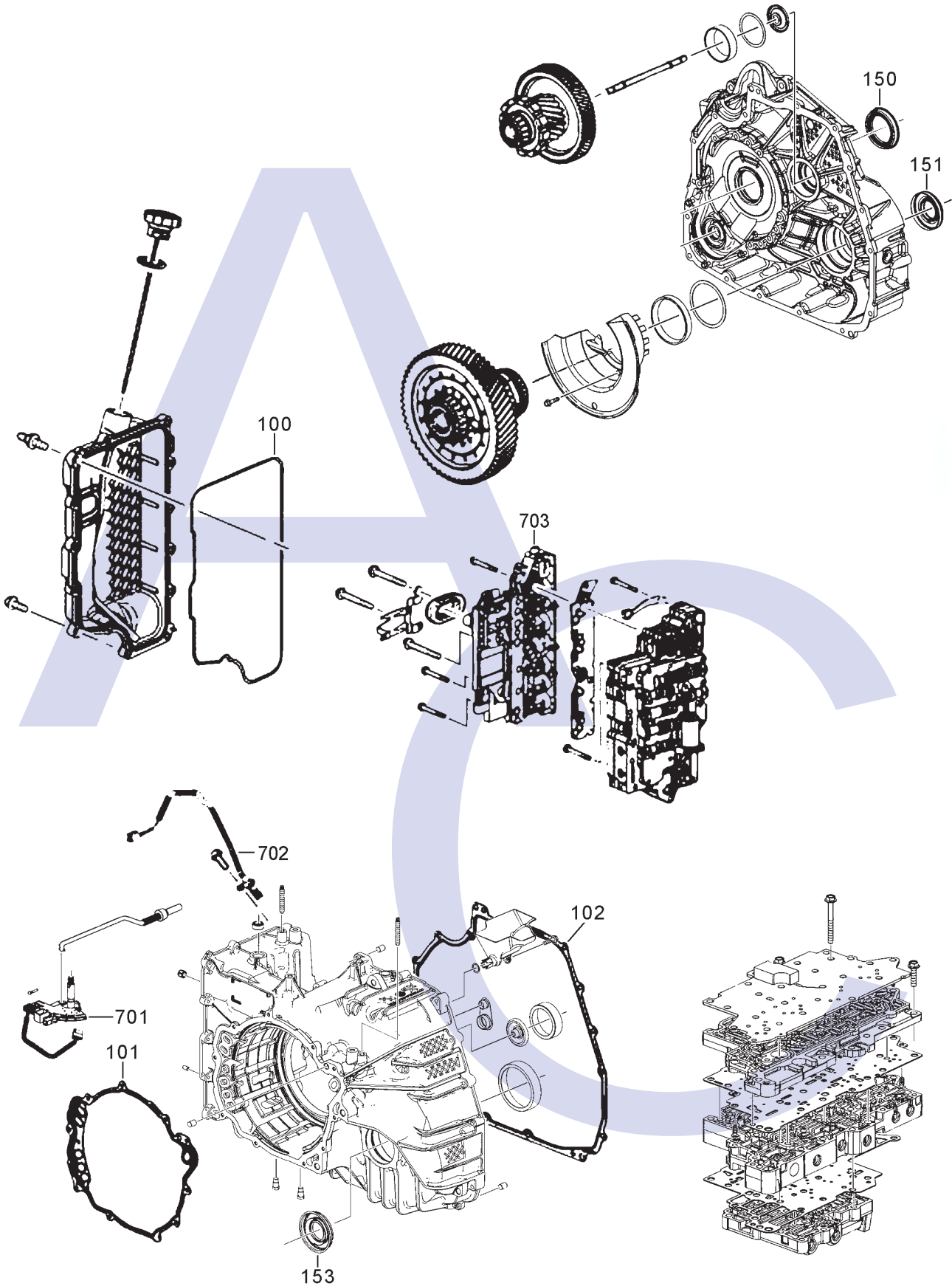


AUTOMATIC CHOICE



THE AUTOMATIC TRANSMISSION PARTS WAREHOUSE

L



Case Components, Valve Body, Differential Etc.

GM 6T70/75 & Ford 6F50/55 6 Speed FWD (Electronic Control)



AUTOMATIC CHOICE



THE AUTOMATIC TRANSMISSION PARTS WAREHOUSE

ILL NO.	DESCRIPTION	YEARS	QTY	PART NO
KITS				
Kit	Overhaul Kit (Transtec) (GM)....	07-ON	1	6T70.OHK03
Kit	Overhaul Kit (Aftermarket) (GM)	07-ON	1	6T70.OHK01
Kit	Overhaul Kit (Transtec) (Ford)...	07-ON	1	6T70.OHK04
Kit	Overhaul Kit (Aftermarket) (Ford)	07-ON	1	6T70.OHK02
GASKETS				
100L	Valve Body Cover	07-ON	1	6T70.GAS01
101L	End Cover	07-ON	1	6T70.GAS02
102L	Case to Bell Housing (GM)	07-ON	1	6T70.GAS03
RUBBER COMPONENTS				
METAL CLAD SEALS				
150L	Torque Converter to Case	07-ON	1	6T70.MCS01
151L	Diff/Axle R/Hand	07-ON	1	6T70.MCS02
153L	Diff/Axle L/Hand	07-ON	1	6T70.MCS02
BONDED PISTONS				
Kit	Bonded Piston (Precision)	07-ON	1	6T70.PISKIT51
170A	2-6 Clutch	07-ON	1	6T70.PIS01
171A	Low / Reverse Clutch	07-ON	1	6T70.PIS04
172C	1-2-3-4 Clutch	07-ON	1	6T70.PIS02
173D	3-5 / Reverse Clutch	07-ON	1	6T70.PIS03
175F	4-5-6 Clutch (Bonded Retainer)	07-ON	1	6T70.RET01
SEALING RINGS				
Kit	Sealing Ring Kit	07-ON	1	6T70.SRK01
FRICTION PLATES				
Kit	Friction Plate (Precision)	07-08	1	6T70.FRK51
250B	2-6 Clutch (209mm OD x 1.52mm x 36T) ..	07-ON	3	6T70.FRP02
251B	Low/Reverse Clutch (219mm OD x 1.52mm x 48T) ..	07-ON	4	6T70.FRP05
252C	1-2-3-4 Clutch (208mm OD x 1.60mm x 36T) ..	07-ON	2	6T70.FRP04
253E	3-5 / Reverse Clutch (External Teeth) (143mm ID x 1.57mm x 36T)	07-ON	4	6T70.FRP03
254G	4-5-6 Clutch (124mm OD x 1.57mm x 24T) ..	07-ON	6	6T70.FRP01
STEEL PLATES				
300B	2-6 Clutch Waved Plate	07-ON	1	6T70.STP04
301B	2-6 Clutch (182.72mm ID x 2.90mm x 5T) .	07-ON	3	6T70.STP03
302B	Low/Reverse Clutch (174.75mm ID x 2.16mm x 12T)	07-ON	2	6T70.STP09
NI	Low/Rev Clutch Waved Plate ...	07-ON	1	6T70.STP10
305C	1-2-3-4 Clutch (197mm ID x 1.73mm x 10T)	07-ON	3	6T70.STP07
306C	1-2-3-4 Clutch Waved Plate	07-ON	1	6T70.STP08
307E	3-5 / Reverse Waved Plate	07-ON	1	6T70.STP06
308E	3-5 / Reverse Clutch (Internal Teeth) (167.3mm OD x 2.92mm x 36T)	07-ON	4	6T70.STP05
309G	4-5-6 Clutch (100mm ID x 1.73mm x 36T)	07-ON	6	6T70.STP01

ILL NO.	DESCRIPTION	YEARS	QTY	PART NO
PRESSURE PLATES				
400B	2-6 Clutch	07-ON	1	6T70.PP02
401B	Low / Reverse Apply Plate (4.064mm Thick GM Only)	07-ON	1	6T70.PP05
401B	Low / Reverse Apply Plate (2.921mm Thick Ford Only)	07-ON	1	6T70.PP06
402B	Low / Reverse Backing Plate (3.835mm Thick GM Only)	07-ON	1	6T70.PP07
402B	Low / Reverse Backing Plate (4.851mm Thick Ford Only)	07-ON	1	6T70.PP08
NI	1-2-3-4 Clutch	07-ON	1	6T70.PP04
403E	3-5 / Reverse Clutch	07-ON	1	6T70.PP03
405G	4-5-6 Clutch	07-ON	1	6T70.PP01
SPRINGS & CIRCLIPS				
411A	Spring Assy, 2-6 Piston	07-ON	1	6T70.SPR04
414D	Spring Assy, 3-5-Rev Piston	07-ON	1	6T70.SPR01
415F	Spring Assy, 4-5-6 Piston	07-ON	1	6T70.SPR02
434D	Circlip, 3-5-Rev Piston Ret.	07-ON	1	6T70.CIR01
435E	Circlip, 3-5-Rev Clutch Ret.	07-ON	1	6T70.CIR02
436F	Circlip, 4-5-6 Damper Ret.	07-ON	1	6T70.CIR03
437G	Circlip, 4-5-6 Clutch Ret.	07-ON	1	6T70.CIR04
FILTERS				
450G	Pick Up Filter (GM)	07-ON	1	6T70.FIL01
450G	Pick Up Filter (Ford)	07-ON	1	6T70.FIL02
BUSHINGS				
Kit	Bushing Kit (GM)	07-ON	1	6T70.BK01
Kit	Bushing Kit (Ford)	07-ON	1	6T70.BK02
Kit	Bushing Kit (6T70), (8 Pieces, Chevrolet, Mazda)....	07-ON	1	6T70.BK03
THRUST WASHERS & BEARINGS				
Kit	Thrust Washer Kit	07-ON	1	6T70.TWK01
Kit	Thrust Bearing Kit	07-ON	1	6T70.TWK02
ELECTRICAL COMPONENTS				
700A	Speed Sensor, Output (OSS)....	07-ON	1	6T70.ELE01
701L	Range Switch (6T70)	07-ON	1	6T70.ELE03
702L	Speed Sensor, Input (TSS)	07-ON	1	6T70.ELE02
703L	Solenoid Block, With TCM (VIN Required)	07-ON	1	6T70.SOL01
703L	Solenoid Assembly (Ford 6F50/55)	07-ON	1	6T70.SOL02
703L	Solenoid Assembly (GM 6T70/75)	07-ON	1	6T70.SOL03
VALVE BODY PARTS				

GM 6T70/75 & Ford 6F50/55 6 Speed FWD (Electronic Control)



AUTOMATIC CHOICE



THE AUTOMATIC TRANSMISSION PARTS WAREHOUSE

ILL NO.	DESCRIPTION	YEARS	QTY	PART NO
HARD PARTS				
802B	Low/Reverse Sprag/Diode Assembly.....	07-ON	1	6T70.OWC01
805D	Drum, 3-5-Rev & 4-5-6 Clutch ..	07-ON	1	6T70.DRU01
806F	Piston, 4-5-6 Clutch (Aluminium)	07-ON	1	6T70.PIS06
808H	Sungear with Hub	07-ON	1	6T70.SUN01
809H	Reaction Carrier Assembly	07-ON	1	6T70.PL01
811H	Input Carrier Assembly.....	07-ON	1	6T70.PL02
815J	Output Carrier Assembly.....	07-ON	1	6T70.PL03
824K	Pump Drive Chain (With Sprockets)	07-ON	1	6T70.CH01
SPECIAL ITEMS				
TOOLS & MANUALS				
NI	Workshop Manual (ATSG) (6T70/75)	07-ON	AR	6T70.MAN01

ILL NO.	DESCRIPTION	YEARS	QTY	PART NO
---------	-------------	-------	-----	---------