

5R110W (TorqShift) 2003- 5 Speed RWD (Electronic Control)

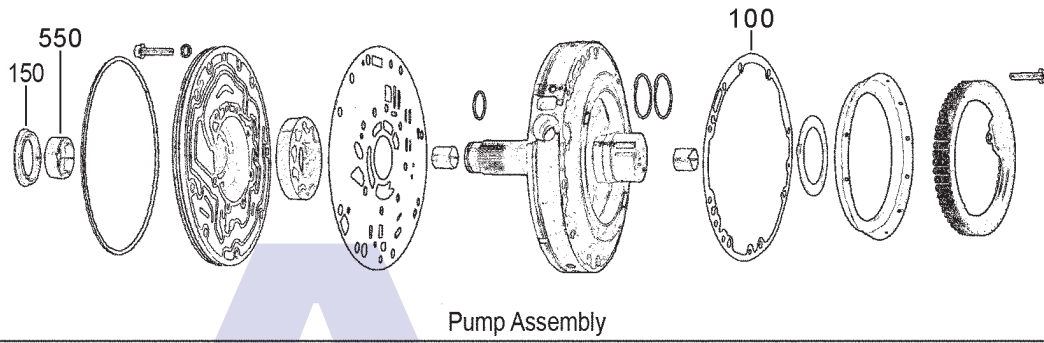


AUTOMATIC CHOICE



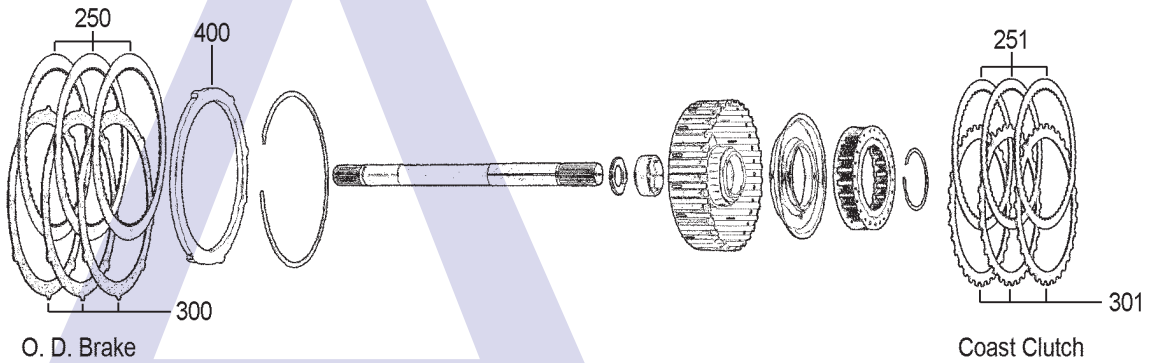
THE AUTOMATIC TRANSMISSION PARTS WAREHOUSE

A



Pump Assembly

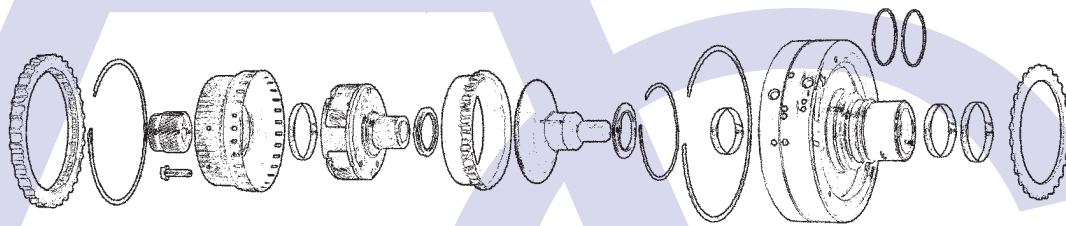
B



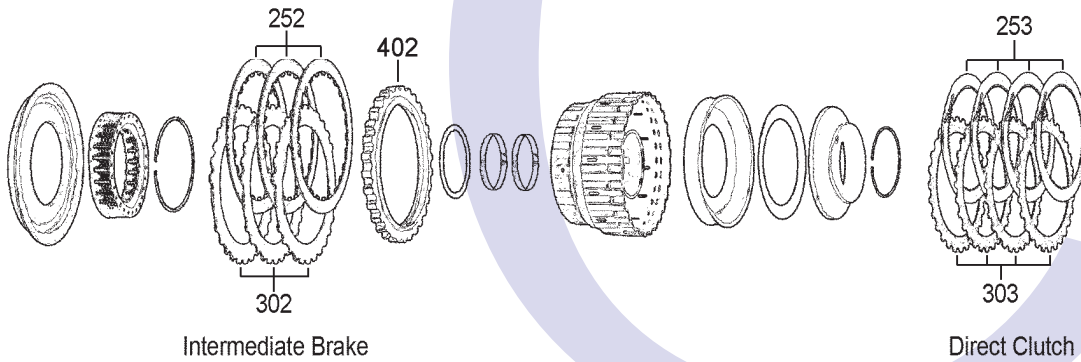
O. D. Brake

Coast Clutch

C



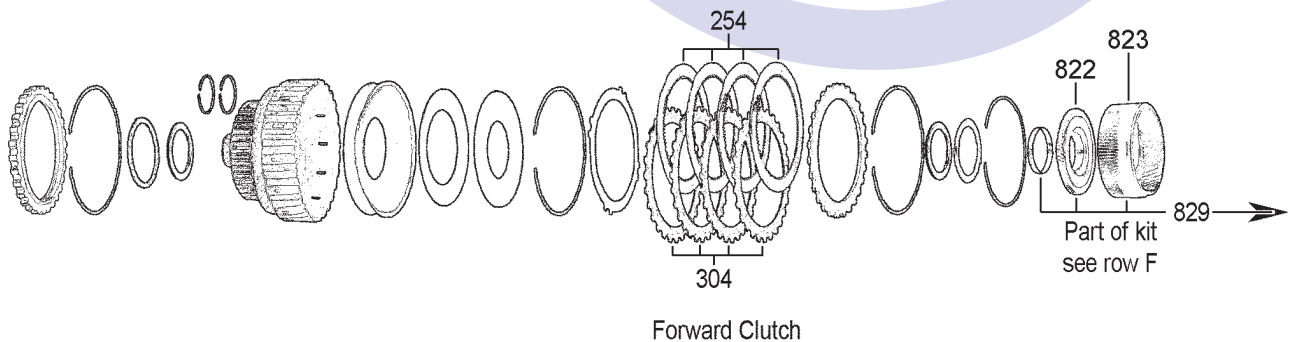
D



Intermediate Brake

Direct Clutch

E



Forward Clutch

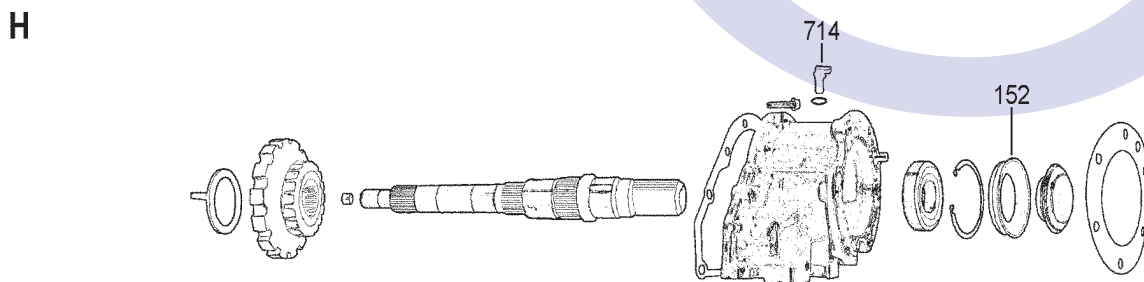
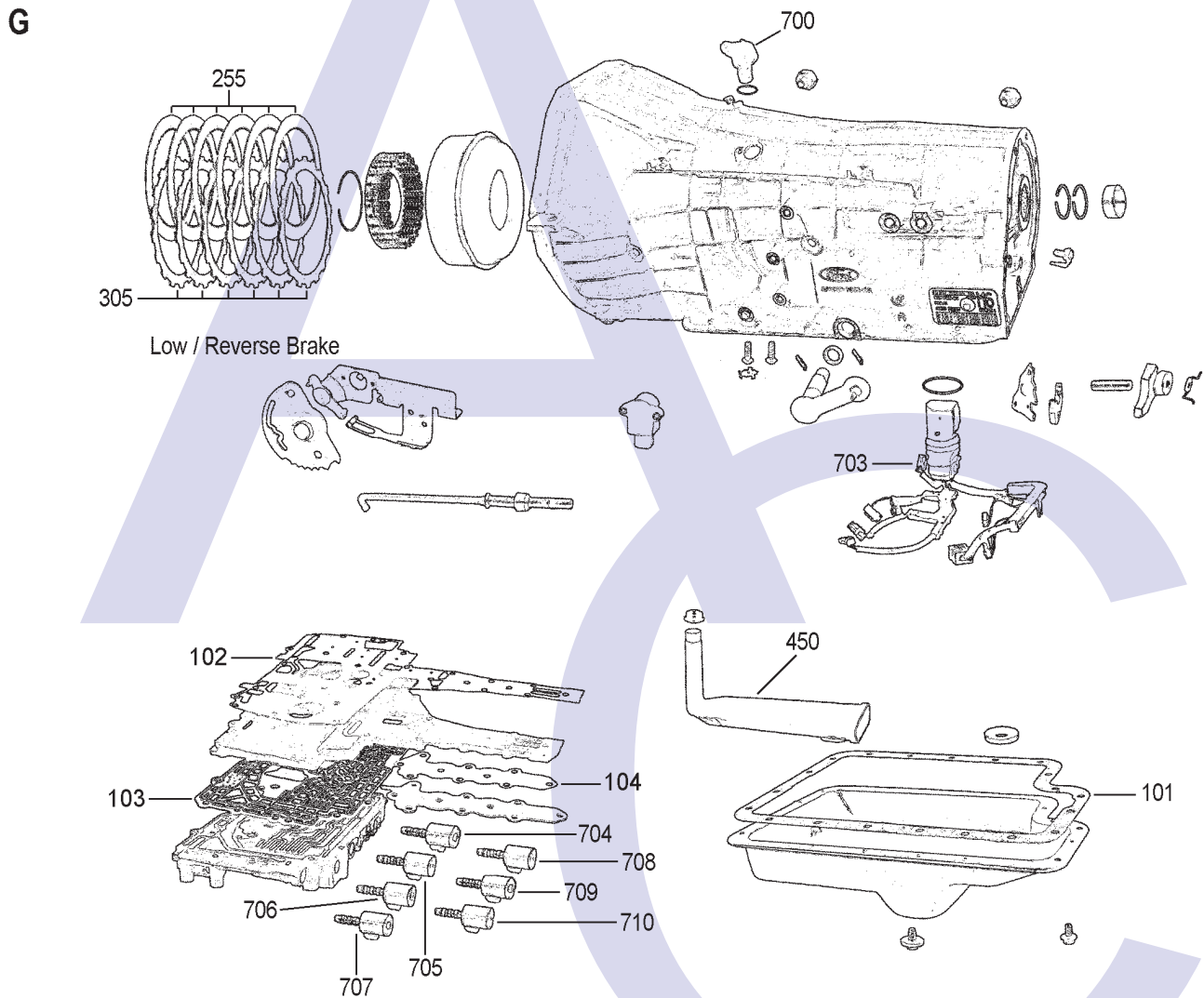
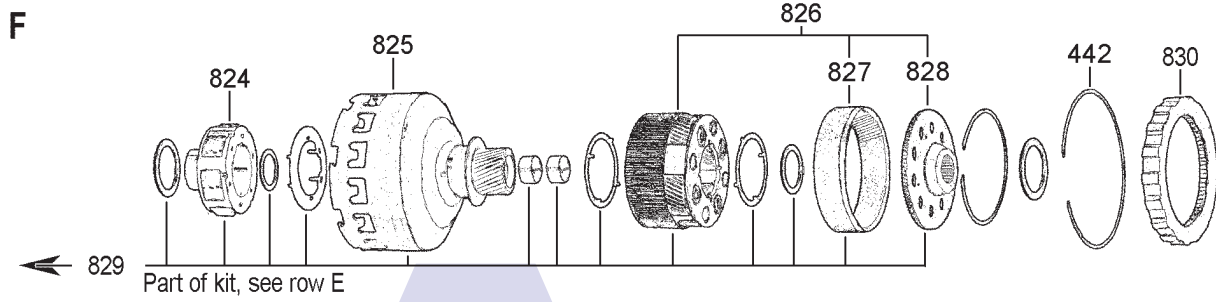
5R110W (TorqShift) 2003- 5 Speed RWD (Electronic Control)



AUTOMATIC CHOICE



THE AUTOMATIC TRANSMISSION PARTS WAREHOUSE



5R110W (TorqShift) 2003- 5 Speed RWD (Electronic Control)



AUTOMATIC CHOICE



THE AUTOMATIC TRANSMISSION PARTS WAREHOUSE

ILL NO.	DESCRIPTION	YEARS	QTY	PART NO
KITS				
Kit	Overhaul (Transtec) (With Bonded Pistons)	03-ON	1	5R110W.OHK01
GASKETS				
100A	Pump to Case	03-ON	1	5R110W.GAS06
101G	Oil Pan	03-ON	1	E40D.GAS02
102G	Valve Body to Case (White Stripe)	03-ON	1	5R110W.GAS02
102G	Valve Body to Case (No Stripe)	03-ON	1	5R110W.GAS05
103G	Solenoid Body/Filter Screen	03-ON	1	5R110W.GAS03
104G	Valve Body Support Plate	03-ON	1	5R110W.GAS04
RUBBER COMPONENTS				
METAL CLAD SEALS				
150A	Oil Pump	03-ON	1	5R110W.MCS01
152H	Rear Seal (4WD & Bolt on Yoke)	03-ON	1	5R110W.MCS02
MOULDED PISTONS				
SEALING RINGS				
FRICTION PLATES				
250B	Overdrive Brake (220mm OD x 2.00mm x 32T) ..	03-ON	3	E40D.FRP10
251B	Coast Clutch (154mm OD x 2.00mm x 59T) ..	03-ON	3	5R110W.FRP01
252D	Intermediate Brake (198mm OD x 2.00mm x 24T) ..	03-ON	3	5R110W.FRP03
252D	Intermediate Brake (198mm OD x 2.00mm x 96T) ..	05-ON	3	5R110W.FRP08
253D	Direct Clutch (159mm OD x 2.00mm x 48T) ..	03-ON	4	5R110W.FRP04
254E	Forward Clutch (161mm OD x 2.00mm x 90T) ..	03-ON	4	5R110W.FRP05
254E	Forward Clutch (Hardened Core) (161mm OD x 2.00mm x 76T) ..	05-ON	4	5R110W.FRP07
255G	Low / Reverse Brake (174mm OD x 2.00mm x 72T) ..	03-ON	6	E40D.FRP08
STEEL PLATES				
300B	Overdrive Brake (190mm ID x 2.00mm x 6T)	03-ON	3	E40D.STP02
301B	Coast Clutch (149mm ID x 2.00mm x 32T)	03-ON	3	5R110W.STP01
302D	Intermediate Brake (165mm ID x 3.17mm x 26T)	03-ON	3	5R110W.STP03

ILL NO.	DESCRIPTION	YEARS	QTY	PART NO
STEEL PLATES Cont...				
302D	Intermediate Brake (165mm ID x 2.95mm x 26T)	05-ON	3	5R110W.STP07
303D	Direct Clutch (130mm ID x 2.03mm x 25T)	03-ON	4	5R110W.STP04
304E	Forward Clutch (130mm ID x 2.03mm x 25T)	03-ON	4	5R110W.STP04
304E	Forward Clutch (136.6mm ID x 2.00mm x 28T) .	05-ON	4	5R110W.STP08
305G	Low / Reverse Brake (147mm ID x 1.72mm x 18T)	03-ON	6	E40D.STP07
PRESSURE PLATES				
400B	Overdrive Brake	03-ON	1	5R110W.PP02
402D	Intermediate Brake (29 Teeth, 8.89mm)	05-ON	1	5R110W.PP04
	(29 Teeth, 13.97mm)	05-ON	1	5R110W.PP03
403E	Direct Clutch	05-ON	1	5R110W.PP05
404E	Forward Clutch (5.00mm x 130.00mm ID)	03-04	1	5R110W.PP05
404E	Forward Clutch (5.00mm x 136.50mm ID)	05-ON	1	5R110W.PP06
SPRINGS & CIRCLIPS				
442F	Retaining Circlip (Heavy Duty) (Sonnax® Click here for Info) ...	03-ON	1	5R110W.CIR01
FILTERS				
450G	Pick Up Filter	03-ON	1	5R110W.FIL01
NI	In-Line Filter	03-ON	1	5R110W.FIL02
BUSHINGS				
Kit	Bushing Kit	03-ON	1	5R110W.BK01
550A	Pump Bush	03-ON	1	E40D.BUS01
THRUST WASHERS & BEARINGS				
ELECTRICAL COMPONENTS				
700G	Turbine Speed Sensor (TSS) & Intermediate Shaft Sensor (ISS)	03-ON	1	5R110W.ELE01
703G	Internal Wire Harness	03-ON	1	5R110W.ELE03
704G	Line Pressure Solenoid (PC-A)	03-ON	1	5R110W.SOL01
705G	Torque Converter Clutch Solenoid (TCC)	03-ON	1	5R110W.SOL02
706G	Shift Solenoid B (O.D. Clutch) (SSPC-B)	03-ON	1	5R110W.SOL02
707G	Shift Solenoid A (Coast Clutch) (SSPC-A)	03-ON	1	5R110W.SOL03
708G	Shift Solenoid C (Intermediate Brake) (SSPC-C)	03-ON	1	5R110W.SOL02
709G	Shift Solenoid D (Direct Clutch) (SSPC-D)	03-ON	1	5R110W.SOL03
710G	Shift Solenoid E (Low/Rev Brake) (SSPC-E)	03-ON	1	5R110W.SOL02
714H	Output Shaft Speed Sensor (OSS)	03-ON	1	5R110W.ELE02

5R110W (TorqShift) 2003- 5 Speed RWD (Electronic Control)



AUTOMATIC CHOICE



THE AUTOMATIC TRANSMISSION PARTS WAREHOUSE

ILL NO.	DESCRIPTION	YEARS	QTY	PART NO
VALVE BODY PARTS				
Kit	Shift Kit® (Transgo®).....	03-ON	1	5R110W.SK01
NI	TCC Control Sleeve Assy (Sonnax® Click here for Info) ...	03-ON	1	5R110W.VA01
Kit	Oversize Pressure Regulator Valve (Requires Tool 5R110W.VA03 and Valve Body Fixture AG4.VA05 with Adaptor 5R110W.VA04) (Sonnax® Click here for info)....	03-ON	1	5R110W.VA02
Kit	Tool Kit for 5R110W.VA02 (Sonnax®).....	03-ON	1	5R110W.VA03
NI	Adaptor for Valve Body Fixture AG4.VB05 (Sonnax®).....	03-ON	1	5R110W.VA04
HARD PARTS				
822E	Hub, Front Planetary (For 101 Tooth Ring Gear).....	05-ON	1	5R110W.HUB01
823E	Ring Gear, Front Planetary (101 Teeth).....	05-ON	1	5R110W.PL04
824F	Front Planetary (23 Tooth Pinion 6 Slot Washer) 05-ON		1	5R110W.PL01
824F	Front Planetary (23 Tooth Pinion 4 Slot Washer) 05-ON		1	5R110W.PL02
825F	Input Shell (35 Tooth Sun Gear)	05-ON	1	5R110W.POT01
826F	Rear Planetary Assembly (With Reverse Hub)	05-ON	1	5R110W.PL03
827F	Ring Gear, Rear Planetary.....	03-ON	1	5R110W.PL05
828F	Hub, Rear Planetary	03-ON	1	5R110W.HUB02
829E & 829F	Planetary Kit (Retrofits to 2003 if Complete Kit is Used)	05-ON	1	5R110W.PLK01
830F	Low Diode (Updated with Dimple)	03-ON	1	5R110W.OWC01
SPECIAL ITEMS				
TOOLS & MANUALS				
NI	ATSG Rebuild Manual	03-ON	1	5R110W.MAN01
NI	Valve Body Fixture (Sonnax®).....	03-ON	1	AG4.VA05
NI	Adaptor for Valve Body Fixture AG4.VB05 (Sonnax®).....	03-ON	1	5R110W.VA04
<p>Click here to view special tools for this transmission</p>				

ILL NO.	DESCRIPTION	YEARS	QTY	PART NO
---------	-------------	-------	-----	---------